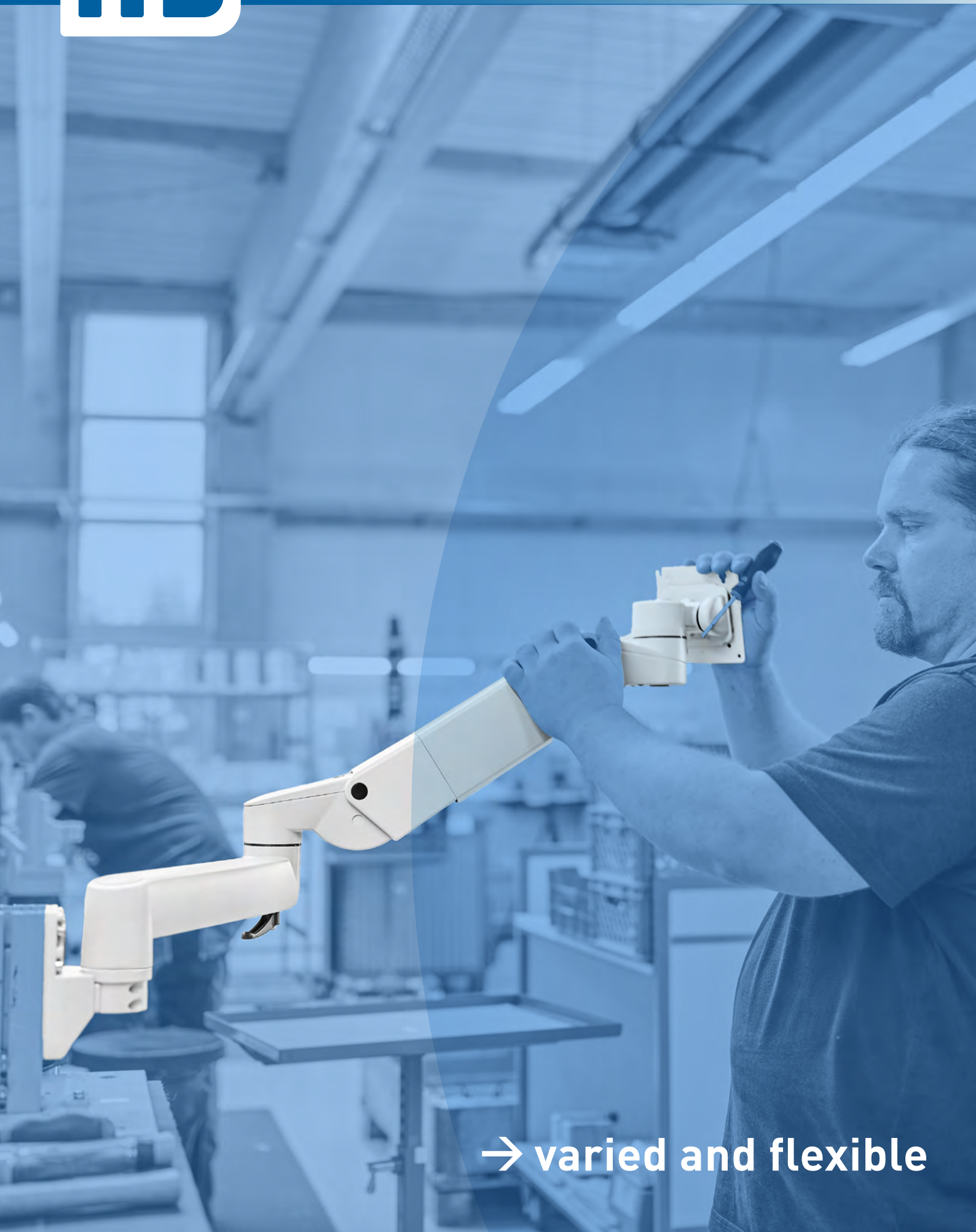




STATIONARY CARRIER SYSTEMS

Complete Catalogue



→ varied and flexible

iTD GMBH – PIONEERING AND FUTURE-ORIENTED

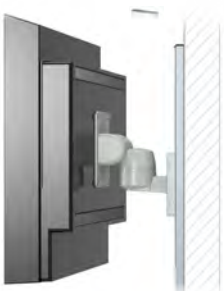


Since 1995, iTD has stood for innovation, technology and design in the field of stationary and mobile carrier systems for medical technology. Electromedical equipment can be integrated into the equipment carrier so that investments in top-class technology pay off over the years. Thanks to the competence of our employees and their knowledge of our products, application-oriented development and design, as well as the highly qualified specialists in production, a quality product of the highest standard is created at iTD right from the start.

Our support arms are characterized by a wide range of attachment and application options. Used in patient monitoring, intensive care units or operating theaters, monitoring centers or information centers, our support arms offer a solution for almost any requirement due to their flexible system design and variety of sizes. The product range of stationary equipment carriers includes monitor swivel arms, rigid and height-adjustable support arms, as well as complete support arm systems. With numerous adaptation options, the stationary equipment carts are optimally integrated into the existing infrastructure.

Our innovative strength, technical expertise and many years of experience in medical technology, can advise you right from the start and accompany you from the planning stage to delivery to your desired location. The modular design as well as the compatibility of all systems and components ensure a highly flexible use of our products. This enables constant adaptation to future requirements and developments.

CONTENT



iTD GmbH - pioneering and future-oriented	1
Table of contents	2
Our experience - your success	4
Strong on site, flexible in use	6
Practical online tools for your planning	8
rm-port swivel arm	10
Swivel arm, 1-fold / 2-fold, with VESA 75 / 100 adaptation	16
Swivel arm, 1-fold / 2-fold, with VESA 75 / 100 adaptation universal and keyboard holder	18
Swivel arm, 1-way / 2-way, with Universaladapter	20
Swivel arm, 1-way / 2-way, with table top mount adapter for Philips IntelliVue MP5 / MX400-850 / AD75/85	22
Adapter for Philips IntelliVue X3.....	22
Multifunctional swivel arms	24
lf-port Variable Height Support Arms	26
Height variable support arms lf-port with VESA 75 / 100 adaptaton.....	30
flexion-port Height variable support arms	32
Height variable support arms flexion-port with VESA 75 / 100 adaptation	38
Height variable support arms flexion-port with. VESA 75 / 100 adaption universal and keyboard holder.....	40
Height variable support arms flexion-port with universal adapter	42
Height variable support arms flexion-port with table top mount adapter for Philips IntelliVue MP5/MX600-850 / AD75 / 85	44
Height variable support arms flexion-port with table top mount adapter for Philips IntelliVue MX400-500	46
Height variable support arms flexion-port with table top mount adapter for Philips IntelliVue MX550.....	48
Height variable support arms flexion-port with Table Top Mount Adapter for Philips IntelliVue MX600-850.....	50
Keyboard holder for flexion-port support arms for Philips IntelliVue MX600-850.....	50
modul-port	52
The iTD Wall Channels - the ideal basis for wide-ranging requirements	54
iTD Wall Channels "Economy" and "Profi"	56
iTD Wall Channel "Flat"	57
Fastening set for ITD Wall Channels "Economy" and "Profi"	58
Table support	59
Table adapter with VESA 75 / 100 adaption, Universal adapter or Philips Table Top Mount adapter.....	60
Monitor mounts with VESA 75 / 100 adaption	62
Monitor mounts with VESA adaption	63
Support arm, rigid, with VESA 75 / 100 adapter.....	64
Support arm, rigid, with universal adapter	65
Support arm, rigid, with table top mount adapter. for MP5 / MX400-850 / AD75/85	66
Support arm, rigid, for Philips IntelliVue MP2 / X2	67
Dual monitor mount with VESA 75 / 100 adaptation, universal	68
Monitor mount with VESA adaption resp Universal adapter to standard rail or round tube	69



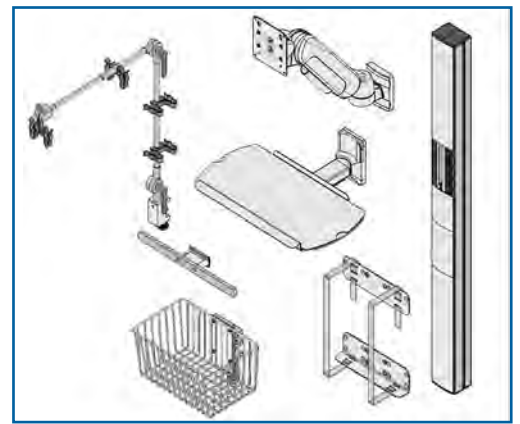
Retaining claws.....	70
Adapter plates for monitor mounts.....	71
Bed mount with universal adapter respectively for Table Top Mount adapter for Philips monitors	72
Bed mount for Philips IntelliVue MP2 / X2 / X3.....	73
Power supply holder for bed top mount adapter for Philips IntelliVue MP2 / X2.....	73
Keyboard holders.....	74
Keyboard holders / Mousegarage	75
Shelves.....	76
Drawers.....	77
Computer holder.....	78
Power supply unit holders	79
Bellhousing.....	80
Storage baskets	81
Post ("Down-post"), swivel	82
Handle for rotating / swiveling unit with VESA 75 / 100 adaptation.....	83
Standard rail (10 mm x 25 mm	84
Mounting set for support arms and swivel arms on mobile equipment rack	84
Adapter plate for vertical standard rail.....	85
Socket strips	86
Potential equalization plug POAG.....	87
Potential equalization cable POAG	87
Cable hook	88
Protective cover with locking system for cables (flexion-port.....	88
Support system for Philips XDS.....	89
Support systems with mechanical height adjustment.....	90
Support systems with electrical height adjustment	91
Technical data	92
Technical data rm-port.....	92
Technical data lf-port	94
Technical data flexion-port.....	96
Technical data module-port	102
General safety instructions	103
Part number directory	104

OUR EXPERIENCE – YOUR SUCCESS

The objective of iTD is to react promptly to the latest market and environmental requirements. The aim is to allow our customers to exploit new opportunities for success. This is why we are dedicated to focus our experience and our “craft assets” – innovative excellence, technical expertise and design competence into our products. iTD creates new benchmarks. Our products feature attributes like modularity, ergonomic design and quality. They are supported by service and customization. This powerful combination generates product solutions that meet all the challenges faced by our sophisticated customers.

Modularity – clever und individuell

- The standard building-block system permits individual and cost-effective configurations.
- The modular support systems can be upgraded at any time. This allows prompt reactions to new demands in the marketplace and guarantees future-proof investments.
- The variability of height and width combined with an extensive range of generic accessories overarching all product lines to meet diverse needs and requirements.
- Simple design can autonomously be created by using our online-product configurator.



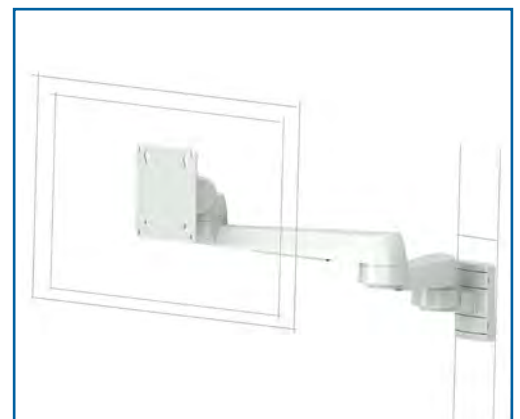
Ergonomic design – adaptable and natural

- Customized work areas, extensive radius of activity and generous-height-adjustment options guarantee perfect ergonomic working-conditions and natural posture.
- Rounded corners and safety devices (e.g. locking lever) prevent risks of injury.
- User-friendly adjustment is ensured by ergonomic operating controls.



Hygiene and design – focused and modern

- The link between design and functionality focuses on instrumentation.
- The modern look and appealing, streamlined design underscore the high quality and value of the instruments.
- The absolute high standards of hygiene required in the everyday routine of hospitals and medical practices are reflected in the detail of the practical design.





Quality – durable and safe

- iTD's state-of-the-art development and construction methods result in safe and practical product solutions.
- The use of high-quality materials, such as anodised aluminium or Powder-coated and galvanised steel plate, guarantee product longevity and dependability.
- All support systems comply with the guideline 93 / 42 EWG as well as the standards according to DIN EN 60601-1 (3rd Edition).
- Quality assurance is carried out strictly in conformity with DIN EN ISO 13485:2016. Electrical safety is also tested and documented down to the last detail.



Service – personal and efficient

- Professional technical personnel provide friendly and expert advice. Personal consultations are given on site or at our show rooms.
- Support is delivered throughout the project period by a dedicated personal contact.
- Expert foreign agents provide the foundation for the international presence of iTD.
- Detailed offers are prepared promptly.
- National and international logistics are supported comprehensively by e.g. ex-stock items and deliveries to end-customers.



Customizing – specific and defining

- Tailormade solutions based on a comprehensive standard range facilitate prompt reaction to new challenges.
- The colour of design interfaces can be matched to instrumentation or Corporate Identity if it is required by customers.
- If requested, packages can be provided with customer-specific company and product designation, e.g. company logo or barcode.
- Support systems are designed in close cooperation with the iTD consultant.

STRONG ON THE GROUND, FLEXIBLE IN APPLICATION

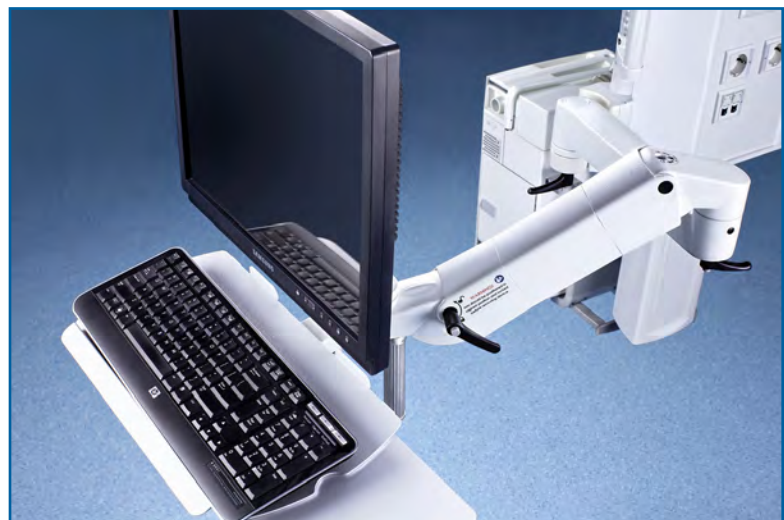
The product range of the stationary solutions at iTD is characterised by diverse mounting and application possibilities. Due to their flexible system structure, size, diversity and variability, the products of iTD offer a tailored solution for every requirement and are deployed among others

- intensive-care units and operating areas,
- monitor centres, emergency rooms or
- information centres
- in patient monitoring

the wide range of products entail rigid, swivel and height-adjustable support arms, as well as numerous possibilities for an optimal adaptation to the existing infrastructure. The solutions can moreover be expedient, also be easily and quickly retrofitted to address new needs and as such remain future-proof.



Fixing to wall supply duct and standard runner at the intensive-care station



Fixing to ceiling-mounted supply unit



Multiple monitor connection
(wall-mounting assembly)



PDMS workstation
(wall-mounting solution)



Fixing to wall supply duct and standard runner on the intensive-care station

USEFUL ONLINE-TOOLS FOR YOUR PLANNING

The online product configurator

Just a few steps to your individually configured equipment carrier:

Our product configurator, available at www.itd-cart.com/product-configurator, is a real highlight.

Thanks to the modular structure of our products, you can easily assemble your product according to your individual requirements. In real time, you can see how the product builds up and changes. The 3D configuration can be rotated, zoomed and viewed from all sides, allowing you to quickly and easily find your optimal solution. After saving your desired product, you can view the configuration at any time or make adjustments to it later.

For each configuration, a document can also be created, which, in addition to a 3D view from all angles, also contains the corresponding dimensions, as well as a parts list including the prices. If you wish, you can also easily send us a non-binding inquiry from within the configurator.

Your benefits at a glance:

- The configurator is very easy to use, so you can put together your desired product within a few minutes and with just a few clicks.
- Detailed technical data and information on the individual system components and accessories are displayed, enabling you to select and assemble your system in the best possible way.
- A 3D view of the configuration is generated in real time. So you can see your configurations immediately and make adjustments very easily.
- Saved configurations can be viewed again, edited and saved as a PDF.
- At the push of a button, a price inquiry is also possible at any time.
- The online configurator is independent of location and time and always contains the latest products and components.

Manufacturer-specific selection and product finder

To make it even easier for you to access our extensive range of products, we have implemented two additional selection tools on our website in the online product configurator.

Using the manufacturer-specific selection, you can choose your existing monitor or device and will then automatically receive suggestions for the support arm systems that are compatible with this device. In the product finder, you select the desired monitor connection instead of the monitor and then receive suggestions of support arm systems, which you can select and adapt depending on your existing infrastructure.

Depending on the application, optional accessories can also be added to the support arms.

You can save your product solution at any time and call it up again at a later date. A non-binding request for quotation is also available.

Your benefits at a glance:

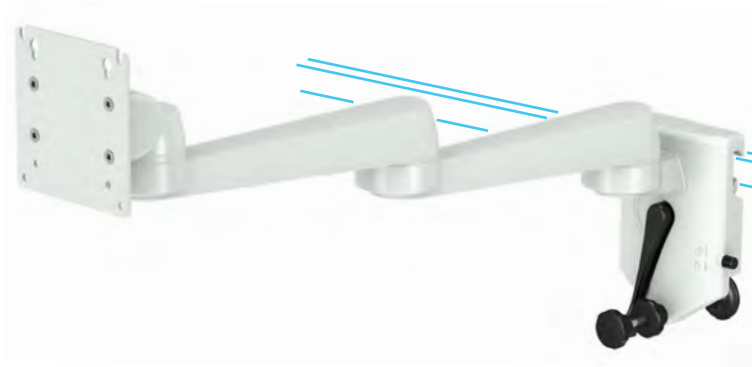
- Quickly find the right solution for your existing medical device.
- Step-by-step details make the selection clearer and thus prevent incorrect configurations.
- A 3D view of the support arm is generated in real time. So you can see your product selection immediately and make adjustments very easily.

rm-port

PIVOT ARMS

The pivot arm generation rm-port is characterised by an exceptionally rapid and user-friendly installation and improved ease of use for users.

The rm-port is equipped with an innovative integrated technology that is well-thought out to the last detail. For example, specially designed quick release fasteners for standard runner and pole provide for an easy tool-free "one-man assembly", whereas large volume internal cable ducts which ensure smooth cable entry and new covers with click & slide function are used for quick and secure attachment of cables. An above-average ease of use of the support arms is provided by the already optimally adjusted torques in the joints, which ensure a continuously variable horizontal sliding during the positioning of the arms. The operation of the attached devices is due to the spring-assisted monitor-mounts also self-explanatory and virtually effortless. The multivariable rm-port support arm is shipped fully assembled in two standard lengths (250 mm + 325 mm) or double arm (250 mm + 250 mm, 325 mm + 325 mm) with selected adapters (wall and monitor side) and is ready for use in a few minutes. The plain design and the latest integrated technology as well as excellent quality ensure the continued safe, maintenance-free and comfortable use.



rm-port – PIVOT ARMS

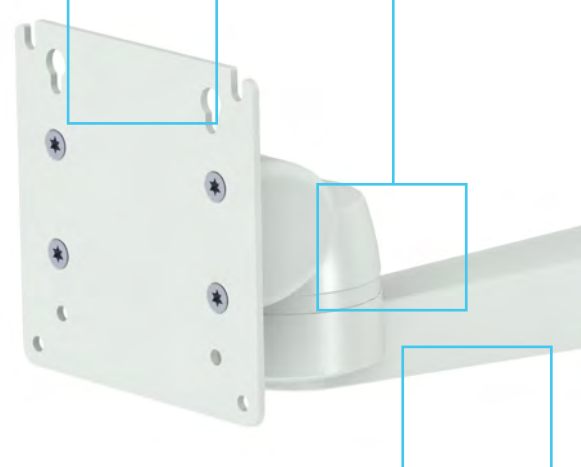
YOUR ADVANTAGES

Support arm

- High degree of mechanical strength in spite of lighter and more compact design
- Robust surfaces for everyday use
- Easy assembly of Down-Post and cable hooks by means of prepared fixation points
- Integrated cable duct on the underside including cover
- Available in two lengths: 250 mm and 325 mm, as well as double arm in 250 mm + 250 mm and 325 mm + 325 mm

Universal equipment mounting

- Supplied in a range of different versions and load capacities:
 - » VESA 75 / 100 (up to 18 kg / 39.6 lbs)
 - » VESA 75 / 100 with universal adapter and keyboard holder (up to 14 kg / 30.6 lbs)
 - » Universal adapter (up to 14 kg / 30.6 lbs)
 - » Philips Table Top Mount Adapter (up to 14 kg / 30.6 lbs)
 - » Philips Table Top Mount Adapter and keyboard holder (up to 14 kg / 30.6 lbs)
- Setting of the monitor weights is not required



Cable management

- Large-volume internally located cable ducts on the underside of the support arms provide the accommodation of data / power cables and route to the respective device
- Quick access for an easy, safe and protected installation of the cable in the case of initial and subsequent on-site installations
- Integrated mains lead cleats protect the cable against being pulled out

Default swivels

- The on-site adjustment of the rotational joints is not necessary
- Comfortable and fast operation of the pivot arms pursuant to the mounting on the support system

Hygiene

- Smooth surfaces guarantee an easy and fast wipe cleaning
- Small gaps prevent germ formation
- Certified by commition of DGKH due to “Hygienic safety of medical technology products and processes”
- In accordance with legal requirements for hygiene in hospitals



High-quality materials / quality

- High-quality materials such as aluminium or steel enable high payload dependability over a long timeframe
- Reliability over a long period
- Powder coating guarantees sturdiness and resistance to cleaning agents



Modular connection to existing infrastructure

- Modular connection to stationary carrier systems over:
 - » Rapid mounting to standard runner - easy and time-saving “one-person installation”
 - » Regular mounting to horizontal standard runner
 - » Pole 35-38 mm; Pole adapter for other diameters on request
 - » Vertical standard runner
 - » iTD support extrusion
 - » Manufacturer specific standards (e.g. GCX)

Comfort / ergonomics

- Two standard types (single and double pivot arm) in the same design
- Additional cantilever for a large radius of action and a wide range of motion

rm-port – MONITOR HOLDERS AND ATTACHMENT OPTIONS

We offer our customers high flexibility in the product selection. Select the desired boom length, the appropriate adaptation on the device side and the wall side, we deliver the system completely assembled.

VESA 75 / 100 adaptation with rotation

- Accommodates monitors with VESA 75 / 100
- Effortless lifting of even heavy screens, due to spring force assistance
- Can be tilted by $\pm 20^\circ$, swiveled by $\pm 90^\circ$ and rotated by $\pm 5^\circ$
- Load rating up to maximum 18 kg / 39.6 lbs

VESA 75 / 100 adaptation

- Accommodates monitors with VESA 75 / 100
- Effortless lifting of even heavy screens due to spring force assistance
- Can be tilted by $\pm 20^\circ$ and swiveled by $\pm 90^\circ$
- Load rating up to maximum 18 kg / 39.6 lbs

VESA 75 / 100 adaptation, universal with keyboard holder

- Accommodates monitors with VESA 75 / 100
- Accommodates different keyboards
- Can be tilted by $\pm 20^\circ$ and swiveled by $\pm 90^\circ$
- Load rating up to maximum 14 kg / 30.8 lbs

Table Top Mount adapter

- Accommodates monitors Philips IntelliVue MP5 / AD75/85 / MX400-850
- Can be tilted by $\pm 15^\circ$ and swiveled by $\pm 90^\circ$
- Load rating up to maximum 14 kg / 30.8 lbs

Universal adapter

- Accommodates different adapter plates
- Can be tilted by $\pm 20^\circ$ and swiveled by $\pm 90^\circ$
- Load rating up to maximum 14 kg / 30.8 lbs

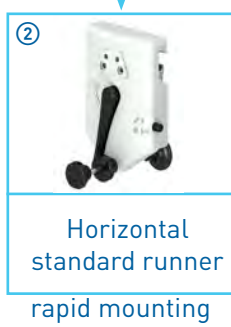




Pivot arm rm-port, single
Available lengths:
250 mm and 325 mm



Pivot arm rm-port, double
Available lengths: 250 mm + 250 mm and
250 mm + 250 mm and 325 mm + 325 mm



rm-port PIVOT ARMS WITH VESA 75 / 100 ADAPTATION

Pivot arms, single or double, with VESA 75 / 100 adaptation

Features pivot arm:

- Comfortable handling due to default torsion
- Large range of activity provides an extensive workspace, according to model
- Large-volume cable channels with strain reliefs allow accommodation of diverse cables

Features monitor holder:

- Acceptance of monitors with VESA 75 / 100 adaptation
- Tilting of the monitor (upwards or downwards) with the same, low effort due to spring force assistance
- Tilt range $\pm 20^\circ$ and swivel range $\pm 90^\circ$

Load capacity: Pivot arm, single (L = 250 mm; L = 325 mm) up to 23 kg / 50.6 lbs
 Pivot arm, double (L = 250 mm + 250 mm) up to 23 kg / 50.6 lbs
 Pivot arm, double (L = 325 mm + 325 mm) up to 18 kg / 39.6 lbs

Technical data: From page 92-93

Installation height: 3 U (96 mm)

Finish: RAL 7035 light grey powder-coated (RAL 9016 traffic white available on request)

Scope of delivery: 1 pivot arm, single or double, including mounting hardware

VESA adaptation with rotation adjustment $\pm 5^\circ$ on request

Pivot arm rm-port, single

Lengths: 250 mm and 3250 mm



Pivot arm rm-port, double

Lengths: 250 mm + 250 mm and 325 mm + 325 mm



Installation



iTD
Wall Channel



①
Standard runner
regular mounting



②
Standard runner
rapid mounting



Pole



Wall Channel
GCX

Application



Pivot arm, single

Installation	Monitor weight	Monitor depth at maximum load	Item number L = 250 mm	Item number L = 325 mm
iTD Wall Channel	0-14 kg / 0-30.8 lbs	max. 10 cm	TH.2100.991	TH.2101.991
	14-18 kg / 30.8-39.6 lbs	max. 10 cm	TH.2102.991	TH.2103.991
Standard runner, horizontal①	0-14 kg / 0-30.8 lbs	max. 10 cm	TH.2156.991	TH.2157.991
	14-18 kg / 30.8-39.6 lbs	max. 10 cm	TH.2158.991	TH.2159.991
Standard runner, horizontal②	0-14 kg / 0-30.8 lbs	max. 10 cm	TH.2104.991	TH.2105.991
	14-18 kg / 30.8-39.6 lbs	max. 10 cm	TH.2106.991	TH.2107.991
Pole Ø 35-38 mm	0-14 kg / 0-30.8 lbs	max. 10 cm	TH.2108.991	TH.2109.991
	14-18 kg / 30.8-39.6 lbs	max. 10 cm	TH.2110.991	TH.2111.991
Wall Channel GCX	0-14 kg / 0-30.8 lbs	max. 10 cm	TH.2112.991	TH.2113.991
	14-18 kg / 30.8-39.6 lbs	max. 10 cm	TH.2114.991	TH.2115.991

Pivot arm, double

Installation	Monitor weight	Monitor depth at maximum load	Item number L = 250 mm + 250 mm	Item number L = 325 mm + 325 mm
iTD Wall Channel	0-14 kg / 0-30.8 lbs	max. 10 cm	TH.2200.991	TH.2201.991
	14-18 kg / 30.8-39.6 lbs	max. 10 cm	TH.2202.991	TH.2203.991
Standard runner, horizontal①	0-14 kg / 0-30.8 lbs	max. 10 cm	TH.2248.991	TH.2249.991
	14-18 kg / 30.8-39.6 lbs	max. 10 cm	TH.2250.991	TH.2251.991
Standard runner, horizontal②	0-14 kg / 0-30.8 lbs	max. 10 cm	TH.2204.991	TH.2205.991
	14-18 kg / 30.8-39.6 lbs	max. 10 cm	TH.2206.991	TH.2207.991
Pole Ø 35-38 mm	0-14 kg / 0-30.8 lbs	max. 10 cm	TH.2208.991	TH.2209.991
	14-18 kg / 30.8-39.6 lbs	max. 10 cm	TH.2210.991	TH.2211.991
Wall Channel GCX	0-14 kg / 0-30.8 lbs	max. 10 cm	TH.2212.991	TH.2213.991
	14-18 kg / 30.8-39.6 lbs	max. 10 cm	TH.2214.991	TH.2215.991

- The adapter for mounting on the vertical standard runner can be found on page 85
- The mounting kit for support arms on equipment carts can be found on page 84
- Pole adapter for other diameters on request

rm-port PIVOT ARMS WITH VESA 75 / 100 ADAPTION

Pivot arm, single or double, with VESA 75 / 100 adaptation universal and keyboard holder

Features pivot arm:

- Comfortable handling due to default torsion
- Large range of activity provides an extensive workspace, according to model
- Large-volume cable channels with strain reliefs allow accommodation of diverse cables

Features monitor holder:

- Acceptance of monitors with VESA 75 / 100 adaptation
- Tilt range $\pm 20^\circ$ and swivel range $\pm 90^\circ$

Features keyboard holder (with pull-out mousepad left / right):

- Accomodates keyboards with a maximum width of 450 mm

Load capacity:	Pivot arm, single (L = 250 mm; L = 325 mm) up to 23 kg / 50.6 lbs / Keyboard holder up to 5 kg / 11 lbs (distributed load) Pivot arm, double (L = 250 mm + 250 mm) up to 23 kg / 50.6 lbs Pivot arm, double (L = 325 mm + 325 mm) up to 18 kg / 39.6 lbs Keyboard holder: up to 5 kg / 11 lbs (distributed load)
Technical data:	From page 92-93
Installation height:	3 U (96 mm)
Finish:	RAL 7035 light grey powder-coated (RAL 9016 traffic white available on request)
Scope of delivery:	1 pivot arm, single or double, keyboard holder, including mounting hardware

Pivot arm, single

Installation	Monitor weight	Item number L = 250 mm	Item number L = 325 mm
iTD Wall Channel	0-14 kg / 0-30.8 lbs	TH.2132.991	TH.2133.991
Standard runner, horizontal ①	0-14 kg / 0-30.8 lbs	TH.2164.991	TH.2165.991
Standard runner, horizontal ②	0-14 kg / 0-30.8 lbs	TH.2136.991	TH.2137.991
Pole \varnothing 35-38 mm	0-14 kg / 0-30.8 lbs	TH.2140.991	TH.2141.991
Wall Channel GCX	0-14 kg / 0-30.8 lbs	TH.2144.991	TH.2145.991

Pivot arm, double

Installation	Monitor weight	Item number L = 250 mm + 250 mm	Item number L = 325 mm + 325 mm
iTD wall channel	0-14 kg / 0-30.8 lbs	TH.2232.991	TH.2233.991
Standard runner, horizontal ①	0-14 kg / 0-30.8 lbs	TH.2256.991	TH.2257.991
Standard runner, horizontal ②	0-14 kg / 0-30.8 lbs	TH.2234.991	TH.2235.991
Pole \varnothing 35-38 mm	0-14 kg / 0-30.8 lbs	TH.2236.991	TH.2237.991
Wall channel GCX	0-14 kg / 0-30.8 lbs	TH.2238.991	TH.2239.991

- The adapter for mounting on the vertical standard runner can be found on page 85
- The mounting kit for support arms on equipment carts can be found on page 84
- Pole adapter for other diameters on request

Pivot arm rm-port, single

Lengths: 250 mm and 325 mm



Pivot arm rm-port, double

Lengths: 250 mm + 250 mm and 325 mm + 325 mm



Installation



iTD
Wall Channel



① Standard runner
regular mounting



② Standard runner
rapid mounting



Pole



Wall Channel
GCX

Application



rm-port PIVOT ARMS WITH UNIVERSAL ADAPTER

Pivot arm, single or double, with universal adapter

Features pivot arm:

- Comfortable handling due to default torsion
- Large range of activity provides an extensive workspace, according to model
- Large-volume cable channels with strain reliefs allow accommodation of diverse cables

Features monitor holder:

- Universal adapter for accommodation of monitor-specific adapter plates (examples on page 71)
- Tilt range $\pm 20^\circ$ and swivel range $\pm 90^\circ$

Load capacity:	Pivot arm, single (L = 250 mm; L = 325 mm) up to 23 kg / 50.6 lbs Pivot arm, double (L = 250 mm + 250 mm) up to 23 kg / 50.6 lbs Pivot arm, double (L = 325 mm + 325 mm) up to 18 kg / 39.6 lbs
Technical data:	From page 92-93
Installation height:	3 U (96 mm)
Finish:	RAL 7035 light grey powder-coated (RAL 9016 traffic white available on request)
Scope of delivery:	1 pivot arm, single or double, including mounting hardware

Pivot arm, single

Installation	Monitor weight	Item number L = 250 mm	Item number L = 325 mm
iTD Wall Channel	0-14 kg / 0-30.8 lbs	TH.2506.991	TH.2507.991
Standard runner, horizontal ^①	0-14 kg / 0-30.8 lbs	TH.2502.991	TH.2508.991
Standard runner, horizontal ^②	0-14 kg / 0-30.8 lbs	TH.2509.991	TH.2510.991
Pole \varnothing 35-38 mm	0-14 kg / 0-30.8 lbs	TH.2503.991	TH.2511.991
Wall Channel GCX	0-14 kg / 0-30.8 lbs	TH.2512.991	TH.2513.991

Pivot arm, double

Installation	Monitor weight	Item number L = 250 mm + 250 mm	Item number L = 325 mm + 325 mm
iTD Wall Channel	0-14 kg / 0-30.8 lbs	TH.2291.991	TH.2292.991
Standard runner, horizontal ^①	0-14 kg / 0-30.8 lbs	TH.2293.991	TH.2294.991
Standard runner, horizontal ^②	0-14 kg / 0-30.8 lbs	TH.2295.991	TH.2296.991
Pole \varnothing 35-38 mm	0-14 kg / 0-30.8 lbs	TH.2297.991	TH.2298.991
Wall Channel GCX	0-14 kg / 0-30.8 lbs	TH.2299.991	TH.2300.991

- The adapter for mounting on the vertical standard runner can be found on page 85
- The mounting kit for support arms on equipment carts can be found on page 84
- Pole adapter for other diameters on request

Pivot arm rm-port, single

Lengths: 250 mm and 325 mm



Pivot arm rm-port, double

Lengths: 250 mm + 250 mm and 325 mm + 325 mm



Installation



iTD
Wall Channel



① Standard runner
regular mounting



② Standard runner
rapid mounting



Pole



Wall Channel
GCX

Application



rm-port PIVOT ARMS FOR PHILIPS INTELLIVUE MP5 / MX400-850 / AD75/85

Pivot arm, single or double, with Table Top Mount adapter for Philips IntelliVue MP5 / MX400-850 / AD75/85

Features pivot arm:

- Comfortable handling due to default torsion
- Large range of activity provides an extensive workspace, according to model
- Large-volume cable channels with strain reliefs allow accommodation of diverse cables

Features monitor holder:

- Accommodates monitors: Philips IntelliVue MP5 / MX400-850 / AD75/85
- Tilt range $\pm 15^\circ$ and swivel range $\pm 90^\circ$

Load capacity:	Pivot arm, single (L = 250 mm; L = 325 mm) up to 23 kg / 50.6 lbs Pivot arm, double (L = 250 mm + 250 mm) up to 23 kg / 50.6 lbs Pivot arm, double (L = 325 mm + 325 mm) up to 18 kg / 39.6 lbs
Technical data:	From page 92-93
Installation height:	3 U (96 mm)
Finish:	RAL 7035 light grey powder-coated (RAL 9016 traffic white available on request)
Scope of delivery:	1 pivot arm, single or double, including mounting hardware (without Philips Table Top Mount)

Pivot arm, single

Installation	Monitor weight	Item number L = 250 mm	Item number L = 325 mm
iTD Wall Channel	0-14 kg / 0-30.8 lbs	TH.2116.991	TH.2117.991
Standard runner, horizontal ①	0-14 kg / 0-30.8 lbs	TH.2160.991	TH.2161.991
Standard runner, horizontal ②	0-14 kg / 0-30.8 lbs	TH.2118.991	TH.2119.991
Pole \varnothing 35-38 mm	0-14 kg / 0-30.8 lbs	TH.2120.991	TH.2121.991
Wall Channel GCX	0-14 kg / 0-30.8 lbs	TH.2122.991	TH.2123.991

Pivot arm, double

Installation	Monitor weight	Item number L = 250 mm + 250 mm	Item number L = 325 mm + 325 mm
iTD Wall Channel	0-14 kg / 0-30.8 lbs	TH.2216.991	TH.2217.991
Standard runner, horizontal ①	0-14 kg / 0-30.8 lbs	TH.2252.991	TH.2253.991
Standard runner, horizontal ②	0-14 kg / 0-30.8 lbs	TH.2218.991	TH.2219.991
Pole \varnothing 35-38 mm	0-14 kg / 0-30.8 lbs	TH.2220.991	TH.2221.991
Wall Channel GCX	0-14 kg / 0-30.8 lbs	TH.2222.991	TH.2223.991

- The adapter for mounting on the vertical standard runner can be found on page 85
- The mounting kit for support arms on equipment carts can be found on page 84
- Pole adapter for other diameters on request

Adapter for Philips IntelliVue X3

	Capacity	Item number
Adapter	5kg / 11 lbs	TH.1052.991

Pivot arm rm-port, single

Lengths: 250 mm and 325 mm



Pivot arm rm-port, double

Lengths: 250 mm + 250 mm and 325 mm + 325 mm



Installation



iTD
Wall Channel



① Standard runner
regular mounting



② Standard runner
rapid mounting



Pole



Wall Channel
GCX

Application



MULTIFUNCTIONAL SWIVEL ARMS

With our individually designable swivel arms, any request of effective systems for everyday work can be fulfilled. Due to the solid construction and a secure cable routing, these arms remain permanently in use. In addition, they can be quickly converted to new adaptations or monitor mounts if required and thus always remain up-to-date and future-proof. Depending on the selected length, the swivel arms can carry a load of up to 23 kg / 50.7 lbs and are available in various lengths as single or double arms, but can be individually adapted in length and number of joints. In addition, the numerous range of accessories, from cable hooks to swiveling shelves, ensures the multifunctional expansion options of these equipment carriers. The customizable swivel range offers great flexibility and helps users to design their workstations in a functional way. These arms are designed and manufactured according to the strictest quality as well as hygiene requirements for medical applications. Thus, they meet the needs of users in hospitals, clinics and medical practices.

Modular connection to existing infrastructure

- Easy adaptation to future developments and requirements on site
- Modular connection to stationary support systems via standard rail (horizontal, vertical), round tubes with Ø 25-42 mm, iTD Wall Channel as well as manufacturer-specific standards (e.g. GCX)

Universal device holder

- Available in different versions and load capacities with:
 - » VESA 75 / 100 (up to 18 kg / 17.6 lbs)
 - » VESA 75 / 100 (universal, up to 14 kg / 30.8 lbs)
 - » Universal adapter (up to 14 kg / 30.8 lbs)
 - » Philips connection Table Top Mount Adapter (up to 14 kg / 30.8 lbs)
- Individual comfort adjustment (depending on monitor weight)

Adjustable swivel joints

- User-friendly adjustment of friction within the joints via ergonomic controls
- Stepless joint adjustment
- Fixable transport position for mobile applications

Comfort / Ergonomics

- Three standard types (rigid, 1-fold and 2-fold swivel) in the same design
- Swivel jibs ensure a large operating radius and high freedom of movement

Cable management

- Cable ducts in various cross-sections on the underside of the swivel and support arms allow data/network cables to be accommodated and routed to the respective device
- Quick access for easy, safe and protected routing of cables during initial and subsequent on-site installations
- Integrated strain reliefs protect the cables from being pulled out



Do you need support in implementing your desired product?
Our medical product consultants look forward to your appointment request.

→ Phone: +49 89 61 44 25-0 • Fax: +49 89 61 44 25-200 → www.itd-cart.com • sales@itd-cart.com

ACCORDING TO YOUR INDIVIDUAL REQUIREMENTS

VESA 75 / 100
universal

Philips Table Top
Mount Adapter

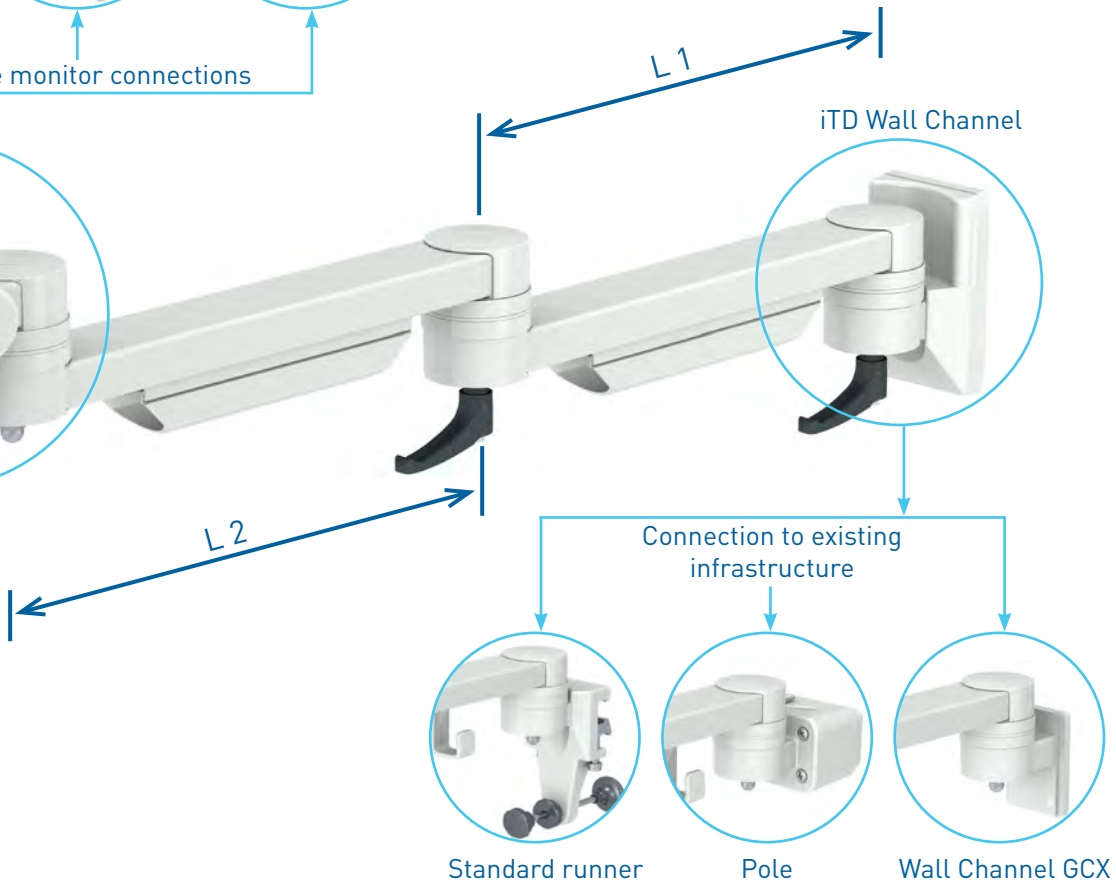
Universal adapter



Possible monitor connections



VESA 75 / 100
bis 18 kg



Customized solutions

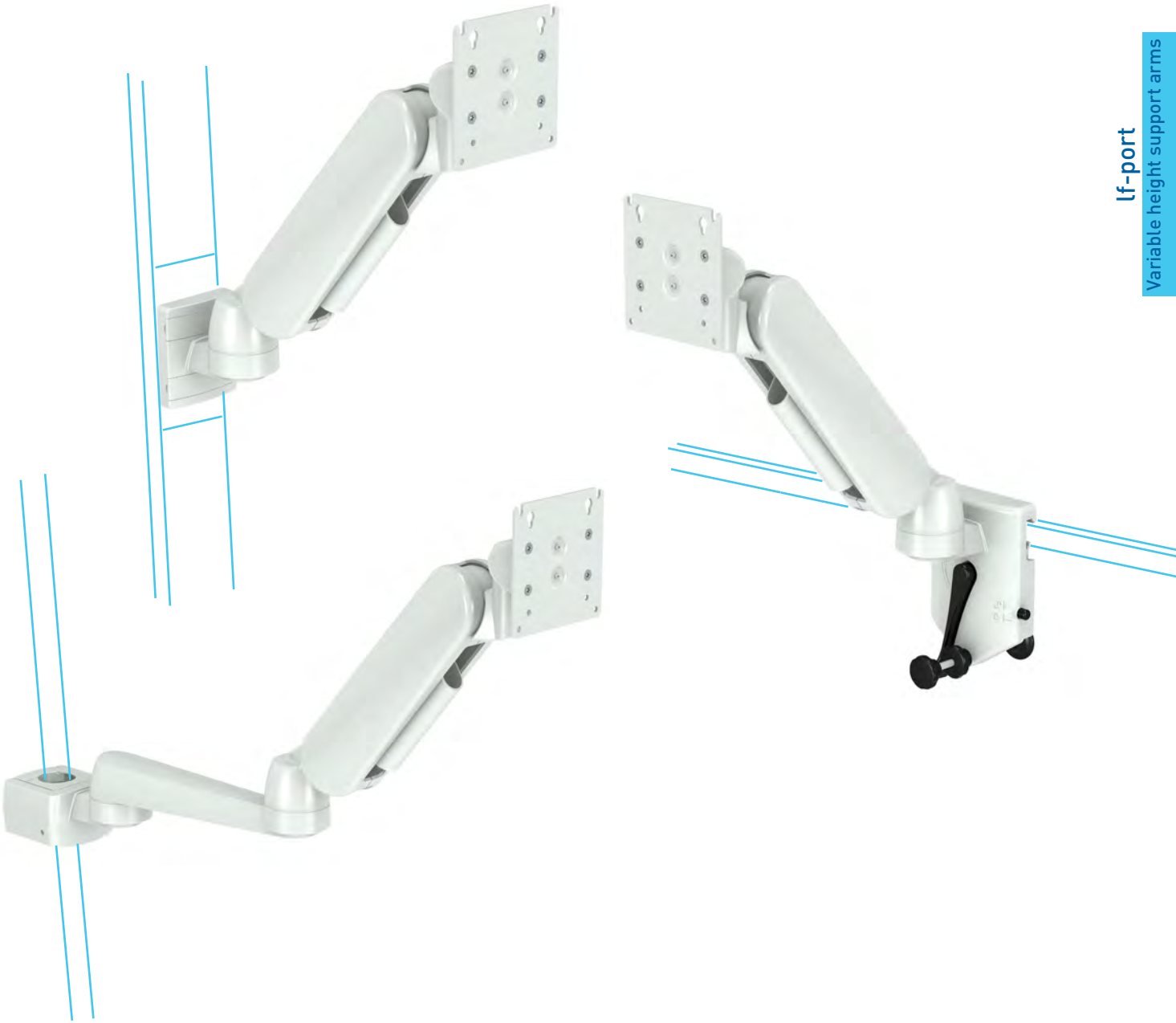


lf-port

VARIABLE HEIGHT SUPPORT ARMS

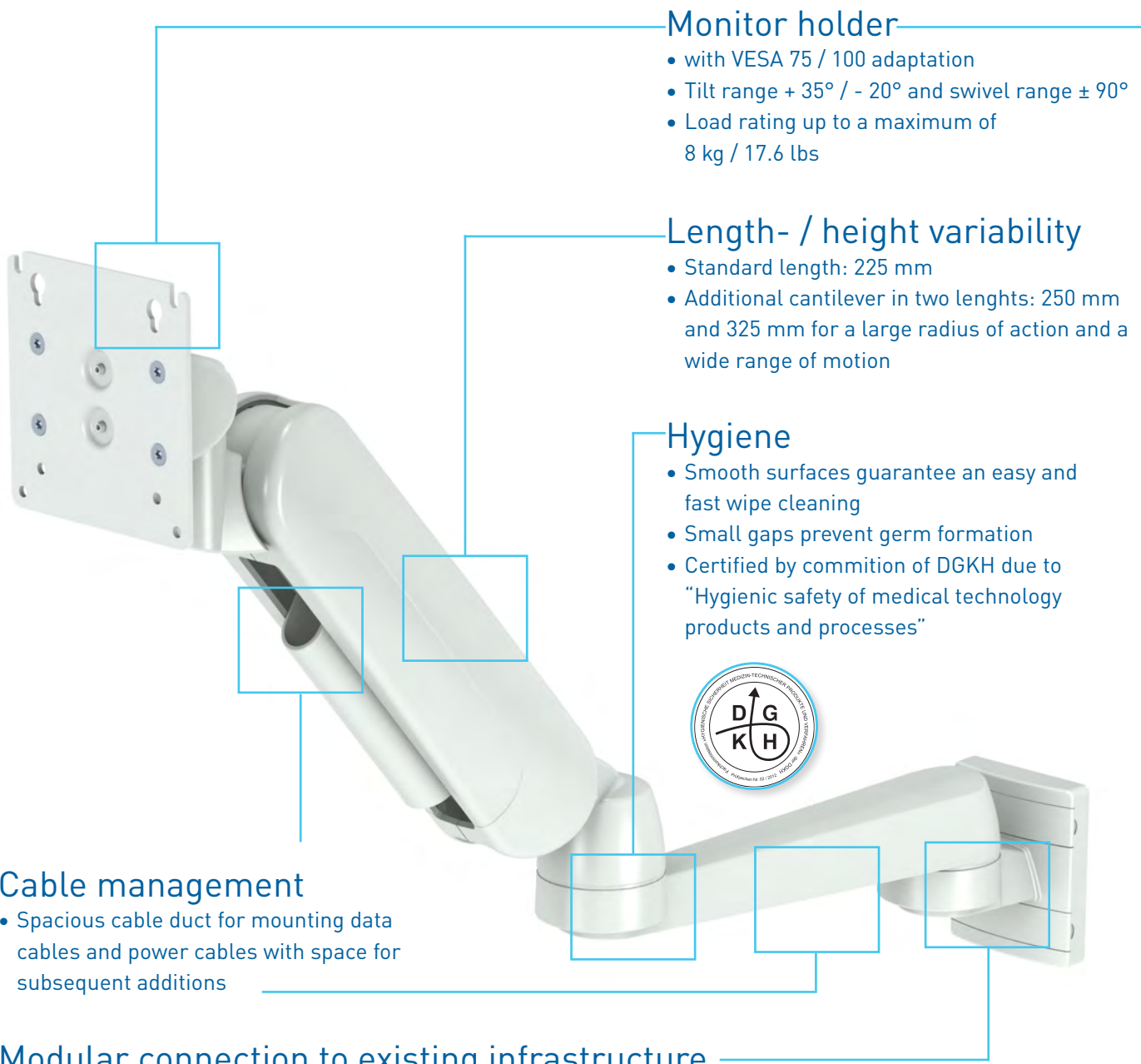
The lf-port is the new height-adjustable support arm for use in the medical environment and therapy equipment. Its variety of adaptation options means that it is quickly ready for use, whether mounted on the wall or on equipment carts. It is elegant in appearance and incorporates reliable technology. Operators can adjust the lf-port, both vertically and horizontally, to any position required, where it will remain stable without any additional fixing being necessary.

The cable management system offers simple and secure connection of the device to both power and data supplies, ensuring cables are neatly routed inside the cable ducts. The height-adjustable support arm is extremely agile and easy to operate. It can be adjusted horizontally +/- 90° and is vertically height-adjustable +/- 50°, offering a broad range of positioning possibilities for your devices. In total, the lf-port can take loads of up to 8 kg / 17.6 lbs and is particularly suitable for the mounting of monitors and electrical devices.



lf-port
Variable height support arms

lf-port – OVERVIEW OF THE VARIABLE HEIGHT SUPPORT ARM



Monitor holder

- with VESA 75 / 100 adaptation
- Tilt range + 35° / - 20° and swivel range ± 90°
- Load rating up to a maximum of 8 kg / 17.6 lbs

Length- / height variability

- Standard length: 225 mm
- Additional cantilever in two lengths: 250 mm and 325 mm for a large radius of action and a wide range of motion

Hygiene

- Smooth surfaces guarantee an easy and fast wipe cleaning
- Small gaps prevent germ formation
- Certified by commition of DGKH due to “Hygienic safety of medical technology products and processes”

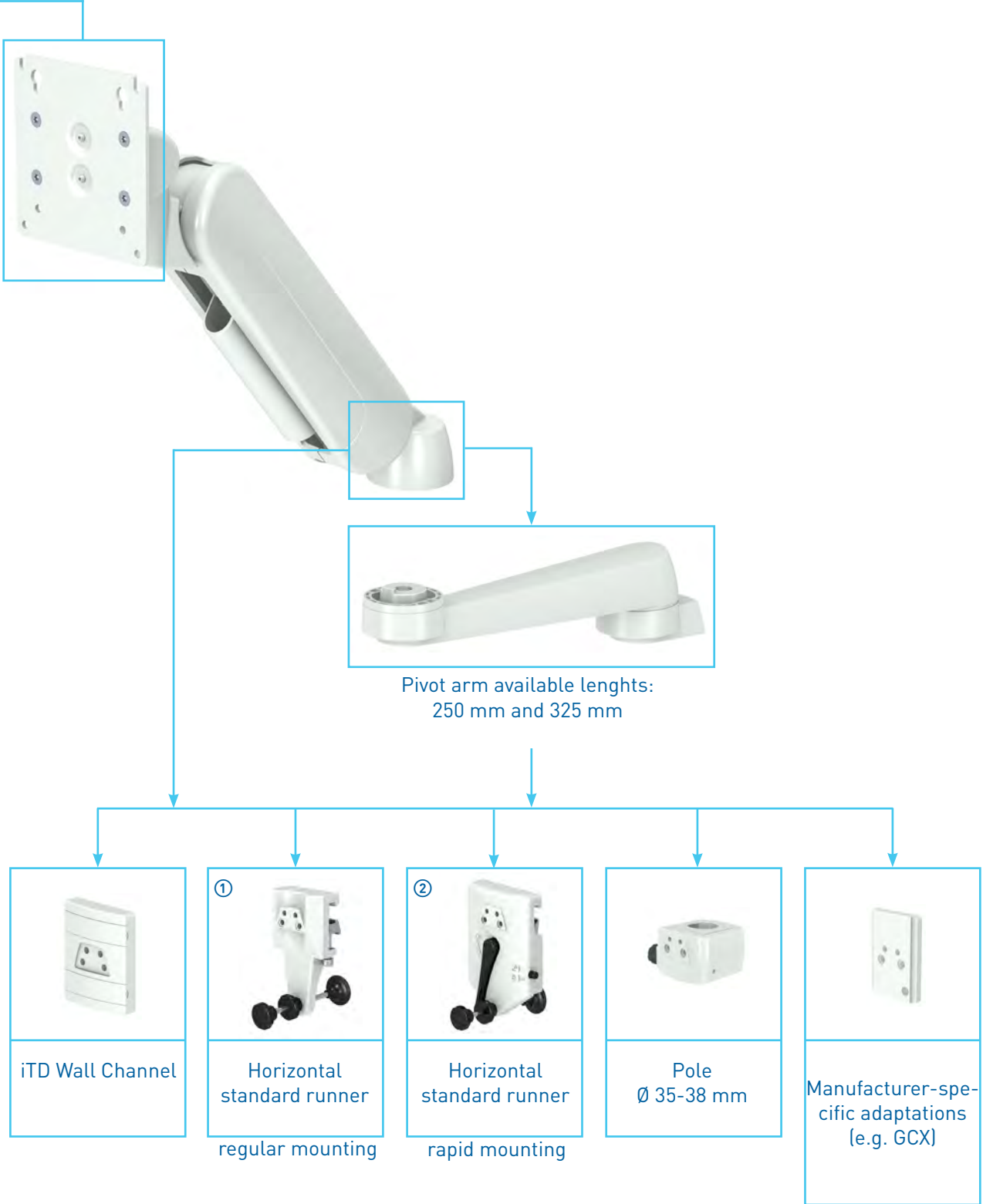


Cable management

- Spacious cable duct for mounting data cables and power cables with space for subsequent additions

Modular connection to existing infrastructure

- Easy adjustment for future developments and on-site requirements
- Modular connection to stationary carrier systems through standard runners (horizontal, vertical), poles with Ø 35-38 mm, iTD Wall Channel
- Modular connection to mobile carrier systems



lf-port VARIABLE HEIGHT SUPPORT ARMS WITH VESA 75 / 100

Variable height support arms lf-port with VESA 75 / 100 adaptation

Features variable height support arm:

- Acceptance of cables in the duct
- Adjustable rotary joints and option to fix the support arm in every required position
- Ideal for moving monitors and other medical devices up to 8 kg / 17.6 lbs (also possible up to 10 kg / 22.1 lbs on request)

Features monitor holder:

- Acceptance of monitors with VESA 75 / 100 adaptation
- Can be tilted by + 35° / - 20° and swivelled by ± 90°

Technical data: From page 94-95
 Installation height: 3 U (96 mm)
 Finish: RAL 7035 light grey powder-coated (RAL 9016 traffic white possible on request)
 Scope of delivery: 1 support arm, height variable, including mounting hardware

Variable height support arms lf-port

Installation	Load capacity	Monitor depth at maximum load	Item number L = 225 mm
iTD Wall Channel	0-8 kg / 0-17.6 lbs	max. 8 cm	HA.3000.991
Standard runner horizontal, rapid mounting ①	0-8 kg / 0-17.6 lbs	max. 8 cm	HA.3001.991
Standard runner horizontal, regular mounting ②	0-8 kg / 0-17.6 lbs	max. 8 cm	HA.3004.991
Pole Ø 35-38 mm	0-8 kg / 0-17.6 lbs	max. 8 cm	HA.3002.991
Wall Channel GCX	0-8 kg / 0-17.6 lbs	max. 8 cm	HA.3003.991

Variable height support arms lf-port on pivot arm

Installation	Load capacity	Monitor depth at maximum load	Item number L = 225 mm + 250 mm	Item number L = 225 mm + 325 mm
iTD Wall Channel	0-8 kg / 0-17.6 lbs	max. 8 cm	HA.3005.991	HA.3012.991
Standard runner horizontal, rapid mounting ①	0-8 kg / 0-17.6 lbs	max. 8 cm	HA.3006.991	HA.3013.991
Standard runner horizontal, regular mounting ②	0-8 kg / 0-17.6 lbs	max. 8 cm	HA.3009.991	HA.3016.991
Pole Ø 35-38 mm	0-8 kg / 0-17.6 lbs	max. 8 cm	HA.3007.991	HA.3014.991
Wall Channel GCX	0-8 kg / 0-17.6 lbs	max. 8 cm	HA.3008.991	HA.3015.991

- The adapter for mounting on the vertical standard runner can be found on page 85
- The mounting kit for support arms on equipment carts can be found on page 84
- Pole adapter for other diameters on request

Variable height support arm lf-port

Lengths: 225 mm



Variable height support arm lf-port on pivot arm

available boom lengths: 250 mm and 325 mm



Installation



iTD
Wall Channel



①
Standard runner
rapid mounting



②
Standard runner
regular mounting



Pole



Wall Channel
GCX

Application



flexion-port

VARIABLE HEIGHT SUPPORT ARMS

flexion-port – the variable height support arm flexion-port has –due to its multifaceted compatibility– widespread use with a variety of monitor mounts and connection options as well as for mobile and stationary applications. The state of the art gas pressure springs ensure a high level of operating comfort and reliability. An additional highlight of this product is the unique positioning technology. The user in essence has no longer to fix the desired position of the support arm with clamps. Once aligned with the weight of the attached device, the arm remains in any given desired position, thus enabling a flexible design of the workplace.

flexion-port is available in three standard lengths (300 mm and 400 mm) as well as two selectable load capacities of 3-10 kg / 6.6-22 lbs or 8-14 kg / 17.6-30.8 lbs are available. The height-adjustable support arm can be mounted on an additional swivel arm, in case additional reach is required.



flexion-port
Variable height support arms

flexion-port – OVERVIEW OF THE VARIABLE HEIGHT SUPPORT ARM SYSTEM

Monitor holder with spring force assistance

- Can be tilted by $\pm 20^\circ$, swivelled by $\pm 90^\circ$ and rotated by $\pm 5^\circ$
- Effortless lifting of even heavy screens due to spring force assistance
- Acceptance of deep and heavy monitors easily with attachment standard VESA 75 / 100 up to max. 14 kg / 30.8 lbs
- Easy compensation of the inclined position of the display by rotating the bracket
- Tilting of the monitor (upwards or downwards) with the same, low effort
- Easy, reliable and correct positioning of the monitor without additional locking effort
- No settings of the monitor weight required

Cable management

- Spacious cable ducts enable the accommodation of up to seven data lines and power cables
- Large radius of insertion and execution protect delicate data cables that are continually working
- A clickable internal cable duct enables quick access for an easy, reliable, and secure routing of cables during the initial and following on-site installations
- An optional protective cover offers additional protection for all cables and the best cleaning

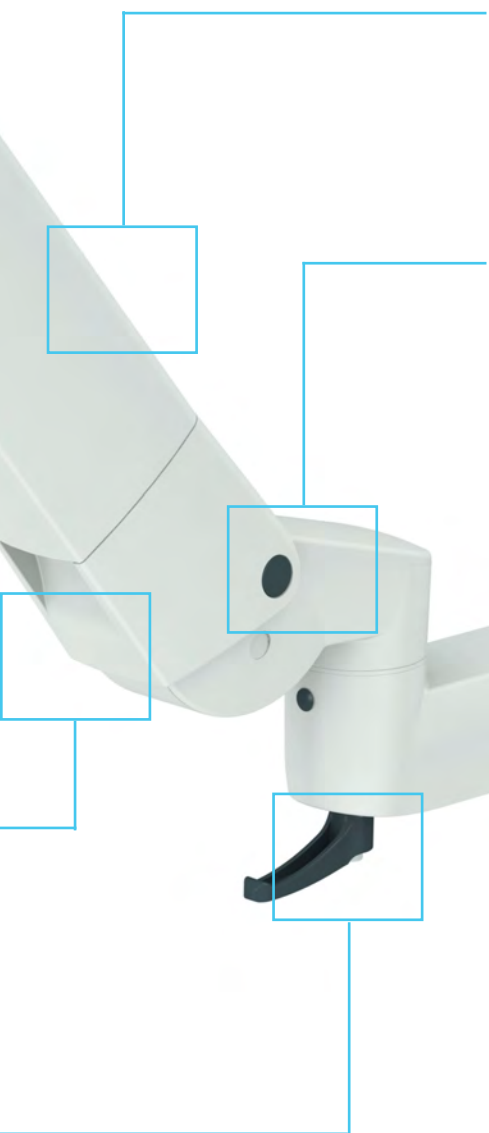
Hygiene

- Smooth surfaces guarantee an easy and fast wipe cleaning
- Small gaps prevent germ formation
- Certified by commission of DGKH due to "Hygienic safety of medical technology products and processes"
- In accordance with legal requirements for hygiene in hospitals

Adjustable swivels

- User-friendly, tool-free adjustment of ergonomic operating controls
- Continuous joint adjustment
- Fixable transport position for mobile applications





Braking

- Fixation possible in any desired position
- Maximum safety as well as high comfort during installation and equipment replacement
- Easy handling with an ergonomic control lever

Length / height variability

- Three standard lengths (300 mm / 400 mm) of the same design
- Additional cantilever for a large radius of action and wide range of motion
- Most height variable scope of its class (up to 612 mm)

Adjustable load range

- Maximum user comfort with individual weight adjustment
- Easy and comfortable adjustment for changing requirements (e.g. hardware change)
- Stable conditions even at high workload
- Permanent state of suspension for easy operation

Modular connection to existing infrastructure

- Easy adjustment for future developments and on-site requirements
- Modular connection to stationary carrier systems over:
 - » standard runners (horizontal, vertical)
 - » poles with \varnothing 25-42 mm
 - » iTD Wall Channel
 - » Manufacturer specific standards (e.g. GCX)
- Modular connection to mobile carrier systems over:
 - » monitor cross beams
 - » iTD vertical profile or support extrusions

flexion-port – MONITOR HOLDERS AND ATTACHMENT OPTIONS

We offer our customers high flexibility in the product selection. Select the desired boom length, the appropriate adaptation on the device side and the wall side, we deliver the system completely assembled.

Monitor holder with spring force assistance

- Can be tilted by $\pm 20^\circ$, swivelled by $\pm 90^\circ$ and rotated by $\pm 5^\circ$
- Effortless lifting of even heavy screens, due to spring force assistance
- Acceptance of deep and heavy monitors easily with the attachment standard VESA 75 / 100 – up to max. 14 kg / 30.8 lbs
- Easy compensation of the inclined position of the display by rotating the bracket
- Tilting of the monitor (upwards or downwards) with the same, low effort
- Easy, reliable and correct positioning of the monitor without additional locking effort
- No settings of the monitor weight required



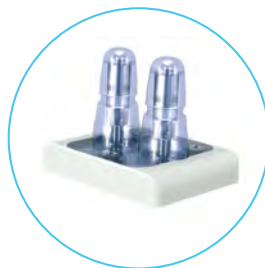
VESA 75 / 100 adaptation, universal

- Accommodates monitors with VESA 75 / 100
- Tilt range $\pm 15^\circ$, swivel $\pm 90^\circ$
- Load rating up to a maximum of 14 kg / 30.8 lbs



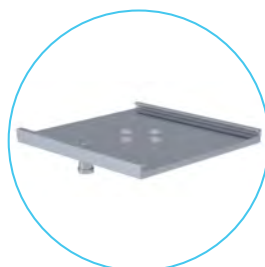
Table Top Mount adapter

- Accommodates monitors Philips IntelliVue MX400-850 / AD75/85
- Tilt range $\pm 15^\circ$ and swivel $\pm 50^\circ$
- Load rating up to a maximum of 14 kg / 30.8 lbs



Universal adapter

- Accommodates different adapter plates
- Tilt range $\pm 15^\circ$ and swivel $\pm 90^\circ$
- Load rating up to a maximum of 14 kg / 30.8 lbs

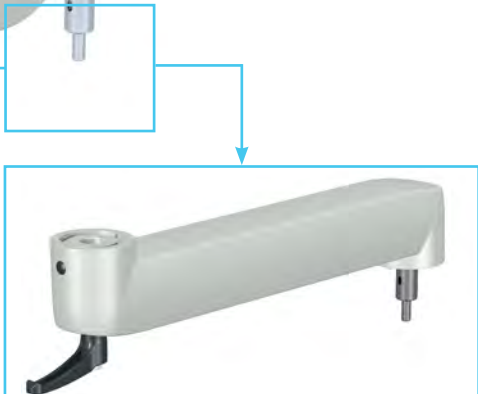


The tilt and swivel unit:

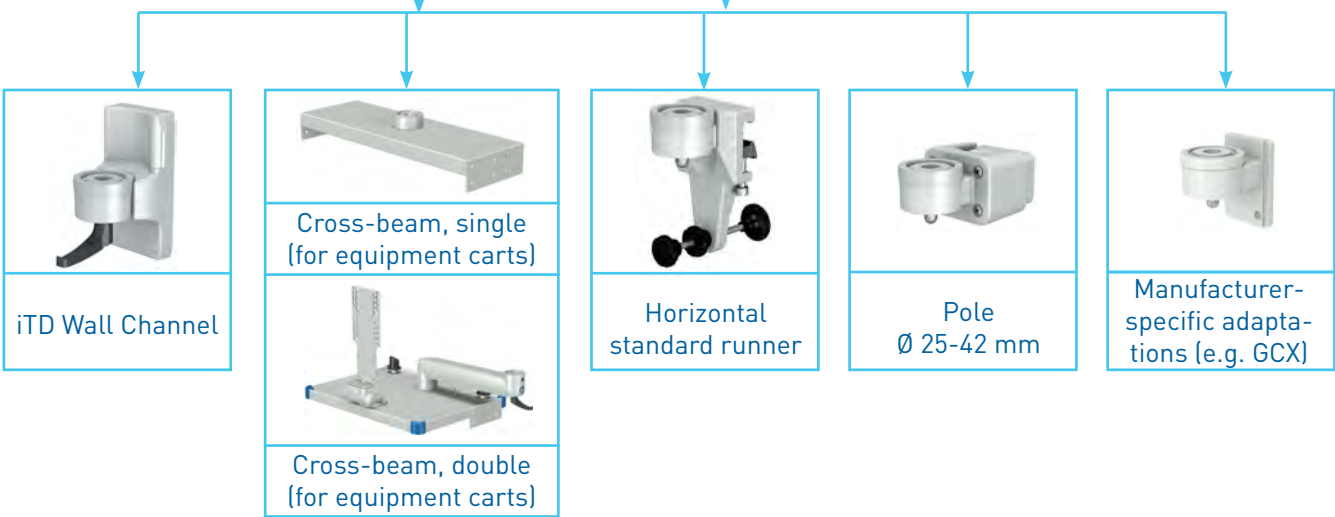
- It permits a tilt of $\pm 15^\circ$ and a swivel range of $\pm 80^\circ$
- The frictional force for tilt and swivel can be variably adjusted depending on the monitor weight
- The load capacity is up to 14 kg / 30.8 lbs – depending on the version
- Future-proof with easy exchange of monitor bracket – also with retrofitting



Variable height support arm flexion-port
 Available lengths:
 300 mm and 400 mm



Pivot arm flexion-port
 Lengths: 350 mm



flexion-port
 Variable height support arms

flexion-port VARIABLE HEIGHT SUPPORT ARMS WITH VESA 75 / 100

Variable height support arms flexion-port with VESA 75 / 100 adaptation

Features variable height support arm:

- Available lengths: Support arm: 300 mm and 400 mm
- Acceptance of cables in the large volume cable duct
- Adjustable rotary joints and option of fixing of the support arm in every required position
- Adjustable load ranges offer user comfort and easy handling

Features monitor holder:

- Acceptance of monitors with VESA 75 / 100 adaptation
- Tilting of the monitor (upwards or downwards) with the same low effort due to spring force assistance
- Can be tilted by $\pm 20^\circ$, swivelled by $\pm 90^\circ$ and rotated by $\pm 5^\circ$
- Easy compensation of the inclined position of the display by rotating the bracket

Technical data: From page 96-101
 Installation height: 5 U (160 mm)
 Finish: RAL 7035 light grey powder-coated (RAL 9016 traffic white possible on request)
 Scope of delivery: 1 support arm, height variable, including mounting hardware

Variable height support arms flexion-port

Installation	Load capacity	Monitor depth at maximum load	Item number L = 300 mm	Item number L = 400 mm
iT D Wall Channel	3-10 kg / 6.6-22 lbs	max. 13 cm	HA.2200.903	HA.2201.903
	8-14 kg / 17.6-30.8 lbs	max. 13 cm	HA.2207.903	HA.2208.903
Standard runner, horizontal	3-10 kg / 6.6-22 lbs	max. 13 cm	HA.2203.903	HA.2204.903
	8-14 kg / 17.6-30.8 lbs	max. 13 cm	HA.2210.903	HA.2211.903
Pole \varnothing 25-42 mm	3-10 kg / 6.6-22 lbs	max. 13 cm	HA.2206.903	HA.2213.903
	8-14 kg / 17.6-30.8 lbs	max. 13 cm	HA.2215.903	HA.2216.903
Wall channel GCX	3-10 kg / 6.6-22 lbs	max. 13 cm	HA.2274.903	HA.2275.903
	8-14 kg / 17.6-30.8 lbs	max. 13 cm	HA.2277.903	HA.2278.903

Variable height support arms flexion-port on pivot arm

Installation	Load capacity	Monitor depth at maximum load	Item number L = 300 mm + 350 mm	Item number L = 400 mm + 350 mm
iT D Wall Channel	3-10 kg / 6.6-22 lbs	max. 13 cm	HA.2218.903	HA.2219.903
	8-14 kg / 17.6-30.8 lbs	max. 13 cm	HA.2224.903	HA.2225.903

- The adapter for mounting on the vertical standard runner can be found on page 85
- The mounting kit for support arms on equipment carts can be found on page 84

Variable height support arm flexion-port
Lengths: 300 mm and 400 mm

Variable height support arm flexion-port on pivot arm
Lengths: 300 mm + 350 mm and 400 mm + 350 mm



Installation



iTD
Wall Channel



Standard runner



Pole



Wall Channel
GCX

Application



flexion-port VARIABLE HEIGHT SUPPORT

ARMS WITH VESA 75 / 100

Variable height support arms flexion-port with VESA 75 / 100 adaptation, universal and keyboard holder

Features variable height support arm:

- Acceptance of cables in the large volume cable duct
- Adjustable rotary joints and option of fixing of the support arm at the required position
- Adjustable load ranges offer user comfort and easy handling

Features monitor holder:

- Acceptance of monitors with VESA 75 / 100 adaptation
- Tilt range $\pm 15^\circ$ and swivel range $\pm 90^\circ$

Features keyboard holder (with pull-out mousepad left / right):

- Accommodates keyboards with a maximum width of 450 mm

Load capacity:	Keyboard holder: up to 5 kg / 11 lbs (distributed load)
Technical data:	From page 96-101
Installation height:	5 U (160 mm)
Finish:	RAL 7035 light grey powder-coated (RAL 9016 traffic white possible on request)
Scope of delivery:	1 support arm, height variable, keyboard holder, including mounting hardware

Variable height support arms flexion-port

Installation	Load capacity	Item number L = 300 mm	Item number L = 400 mm
iT D Wall Channel	3-10 kg / 6.6-22 lbs	HA.2032.903	HA.2182.903
	8-14 kg / 17.6-30.8 lbs	HA.2033.903	HA.2183.903
Standard runner, horizontal	3-10 kg / 6.6-22 lbs	HA.2174.903	HA.2184.903
	8-14 kg / 17.6-30.8 lbs	HA.2175.903	HA.2185.903
Pole \varnothing 25-42 mm	3-10 kg / 6.6-22 lbs	HA.2176.903	HA.2186.903
	8-14 kg / 17.6-30.8 lbs	HA.2177.903	HA.2187.903
Wall Channel GCX	3-10 kg / 6.6-22 lbs	HA.2168.903	HA.2188.903
	8-14 kg / 17.6-30.8 lbs	HA.2169.903	HA.2189.903

Variable height support arms flexion-port on pivot arm

Installation	Load capacity	Item number L = 300 mm + 350 mm	Item number L = 400 mm + 350 mm
iT D Wall Channel	3-10 kg / 6.6-22 lbs	HA.2034.903	HA.2190.903
	8-14 kg / 17.6-30.8 lbs	HA.2035.903	HA.2191.903

- The adapter for mounting on the vertical standard runner can be found on page 85
- The mounting kit for support arms on equipment carts can be found on page 84

Variable height support arm flexion-port

Lengths: 300 mm and 400 mm



Variable height support arm flexion-port on pivot arm

Lengths: 300 mm + 350 mm and 400 mm + 350 mm



Installation



iTD
Wall Channel



Standard runner



Pole



Wall Channel
GCX

Application



flexion-port VARIABLE HEIGHT SUPPORT ARMS WITH UNIVERSAL ADAPTER

Variable height support arms flexion-port with universal adapter

Features variable height support arm:

- Acceptance of cables in the large volume cable duct
- Adjustable rotary joints and option of fixing of the support arm at the required position
- Adjustable load ranges offer user comfort and easy handling

Features monitor holder:

- Universal adapter for accomodation of different manufacturer-specific adapter plates (e.g. from page 71)
- Tilt range $\pm 15^\circ$ and swivel range $\pm 90^\circ$

Technical data:	From page 96-101
Installation height:	5 U (160 mm)
Finish:	RAL 7035 light grey powder-coated (RAL 9016 traffic white possible on request)
Scope of delivery:	1 support arm, height variable, including mounting hardware

Variable height support arms flexion-port

Installation	Load capacity	Item number L = 300 mm	Item number L = 400 mm
iT D Wall Channel	3-10 kg / 6.6-22 lbs	HA.2315.903	HA.2316.903
	8-14 kg / 17.6-30.8 lbs	HA.2317.903	HA.2318.903
Standard runner, horizontal	3-10 kg / 6.6-22 lbs	HA.2302.903	HA.2319.903
	8-14 kg / 17.6-30.8 lbs	HA.2303.903	HA.2320.903
Pole \varnothing 25-42 mm	3-10 kg / 6.6-22 lbs	HA.2304.903	HA.2321.903
	8-14 kg / 17.6-30.8 lbs	HA.2305.903	HA.2322.903
Wall Channel GCX	3-10 kg / 6.6-22 lbs	HA.2323.903	HA.2324.903
	8-14 kg / 17.6-30.8 lbs	HA.2325.903	HA.2326.903

Variable height support arms flexion-port on pivot arm

Installation	Load capacity	Item number L = 300 mm + 350 mm	Item number L = 400 mm + 350 mm
iT D Wall Channel	3-10 kg / 6.6-22 lbs	HA.2327.903	HA.2328.903
	8-14 kg / 17.6-30.8 lbs	HA.2329.903	HA.2330.903

- The adapter for mounting on the vertical standard runner can be found on page 85
- The mounting kit for support arms on equipment carts can be found on page 84

Variable height support arm flexion-port
Lengths: 300 mm and 400 mm

Variable height support arm flexion-port on pivot arm
Lengths: 300 mm + 350 mm and 400 mm + 350 mm



Installation



iTD
Wall Channel



Standard runner



Pole



Wall Channel
GCX

Application



flexion-port VARIABLE HEIGHT SUPPORT ARMS FOR PHILIPS MP5 /MX600-850 / AD75/85

Variable height support arms flexion-port with Table Top Mount Adapter for Philips IntelliVue MP5 / MX600-850 / AD75/85

Features variable height support arm:

- Acceptance of cables in the large volume cable duct
- Adjustable rotary joints and option of fixing of the support arm at the required position
- Adjustable load ranges offer user comfort and easy handling

Features monitor holder:

- Acceptance of monitors Philips IntelliVue MP5 /MX600-850 / AD75/85
- Tilt range $\pm 15^\circ$ and swivel range $\pm 50^\circ$

Technical data:	From page 96-101
Installation height:	5 U (160 mm)
Finish:	RAL 7035 light grey powder-coated (RAL 9016 traffic white possible on request)
Scope of delivery:	1 support arm, height variable, including mounting hardware (without Philips Table Top Mount)

Variable height support arms flexion-port

Installation	Load capacity	Item number L = 300 mm	Item number L = 400 mm
iTD Wall Channel	3-10 kg / 6.6-22 lbs	HA.2036.903	HA.2037.903
	8-14 kg / 17.6-30.8 lbs	HA.2042.903	HA.2043.903
Standard runner, horizontal	3-10 kg / 6.6-22 lbs	HA.2038.903	HA.2039.903
	8-14 kg / 17.6-30.8 lbs	HA.2044.903	HA.2045.903
Pole \varnothing 25-42 mm	3-10 kg / 6.6-22 lbs	HA.2040.903	HA.2041.903
	8-14 kg / 17.6-30.8 lbs	HA.2046.903	HA.2047.903
Wall Channel GCX	3-10 kg / 6.6-22 lbs	HA.2152.903	HA.2153.903
	8-14 kg / 17.6-30.8 lbs	HA.2102.903	HA.2154.903

Variable height support arms flexion-port on pivot arm

Installation	Load capacity	Item number L = 300 mm + 350 mm	Item number L = 400 mm + 350 mm
iTD Wall Channel	3-10 kg / 6.6-22 lbs	HA.2083.903	HA.2048.903
	8-14 kg / 17.6-30.8 lbs	HA.2088.903	HA.2049.903

- The adapter for mounting on the vertical standard runner can be found on page 85
- The mounting kit for support arms on equipment carts can be found on page 84

Variable height support arm flexion-port

Lengths: 300 mm and 400 mm



Variable height support arm flexion-port on pivot arm

Lengths: 300 mm + 350 mm and 400 mm + 350 mm



Installation



iTD
Wall Channel



Standard runner



Pole



Wall Channel
GCX

Application



flexion-port
Variable height support arms

flexion-port VARIABLE HEIGHT SUPPORT ARMS FOR PHILIPS MX400-500

Variable height support arms flexion-port with Table Top Mount Adapter for Philips IntelliVue MX400-500

Features variable height support arm:

- Acceptance of cables in the large volume cable duct
- Adjustable rotary joints and option of fixing of the support arm at the required position
- Adjustable load ranges offer user comfort and easy handling

Features monitor holder:

- Acceptance of monitors Philips IntelliVue MX400-500 with integrated module box
- Tilt range $\pm 15^\circ$ and swivel range $\pm 50^\circ$

Technical data:	From page 96-101
Installation height:	5 U (160 mm)
Finish:	RAL 7035 light grey powder-coated (RAL 9016 traffic white possible on request)
Scope of delivery:	1 support arm, height variable, including mounting hardware (without Philips Table Top Mount)

Variable height support arms flexion-port

Installation	Load capacity	Item number L = 300 mm	Item number L = 400 mm
iTD Wall Channel	3-10 kg / 6.6-22 lbs	HA.2242.903	HA.2243.903
Standard runner, horizontal	3-10 kg / 6.6-22 lbs	HA.2244.903	HA.2245.903
Pole \varnothing 25-42 mm	3-10 kg / 6.6-22 lbs	HA.2246.903	HA.2247.903
Wall Channel GCX	3-10 kg / 6.6-22 lbs	HA.2248.903	HA.2249.903

Variable height support arms flexion-port on pivot arm

Installation	Load capacity	Item number L = 300 mm + 350 mm	Item number L = 400 mm + 350 mm
iTD Wall Channel	3-10 kg / 6.6-22 lbs	HA.2258.903	HA.2259.903

- The adapter for mounting on the vertical standard runner can be found on page 85
- The mounting kit for support arms on equipment carts can be found on page 84

Variable height support arm flexion-port

Lengths: 300 mm and 400 mm



Variable height support arm flexion-port on pivot arm

Lengths: 300 mm + 350 mm and 400 mm + 350 mm



Installation



iTD
Wall Channel



Standard runner



Pole



Wall Channel
GCX

Application



flexion-port VARIABLE HEIGHT SUPPORT ARMS FOR PHILIPS MX550

Variable height support arms flexion-port with Table Top Mount Adapter for Philips IntelliVue MX550

Features variable height support arm:

- Acceptance of cables in the large volume cable duct
- Adjustable rotary joints and option of fixing of the support arm at the required position
- Adjustable load ranges offer user comfort and easy handling

Features monitor holder:

- Acceptance of monitors Philips IntelliVue MX550 with integrated module-box
- Tilt range $\pm 15^\circ$ and swivel range $\pm 50^\circ$

Technical data:	From page 96-101
Installation height:	5 U (160 mm)
Finish:	RAL 7035 light grey powder-coated (RAL 9016 traffic white possible on request)
Scope of delivery:	1 support arm, height variable, including mounting hardware (without Philips Table Top Mount)

Variable height support arms flexion-port

Installation	Load capacity	Item number L = 300 mm	Item number L = 400 mm
iTD Wall Channel	8-14 kg / 17.6-30.8 lbs	HA.2250.903	HA.2251.903
Standard runner, horizontal	8-14 kg / 17.6-30.8 lbs	HA.2252.903	HA.2253.903
Pole \varnothing 25-42 mm	8-14 kg / 17.6-30.8 lbs	HA.2254.903	HA.2255.903
Wall Channel GCX	8-14 kg / 17.6-30.8 lbs	HA.2256.903	HA.2257.903

Variable height support arms flexion-port on pivot arm

Installation	Load capacity	Item number L = 300 mm + 350 mm	Item number L = 400 mm + 350 mm
iTD Wall Channel	8-14 kg / 17.6-30.8 lbs	HA.2266.903	HA.2267.903

- The adapter for mounting on the vertical standard runner can be found on page 85
- The mounting kit for support arms on equipment carts can be found on page 84

Variable height support arm flexion-port

Lengths: 300 mm and 400 mm



Variable height support arm flexion-port on pivot arm

Lengths: 300 mm + 350 mm and 400 mm + 350 mm



Installation



iTD
Wall Channel



Standard runner



Pole



Wall Channel
GCX

Application



•The keyboard holder in the picture above can be found on page 50

flexion-port VARIABLE HEIGHT SUPPORT ARMS FOR PHILIPS MX600-850

Variable height support arms flexion-port with Table Top Mount adapter for Philips IntelliVue MX600-850

Features variable height support arm:

- Acceptance of cables in the large volume cable duct
- Adjustable rotary joints and option of fixing of the support arm at the required position
- Adjustable load ranges offer user comfort and easy handling

Features monitor holder:

- Acceptance of monitors Philips IntelliVue MX600-850
- Tilt range $\pm 15^\circ$ and swivel range $\pm 50^\circ$

Technical data:	From page 96-101
Installation height:	5 U (160 mm)
Finish:	RAL 7035 light grey powder-coated (RAL 9016 traffic white possible on request)
Scope of delivery:	1 support arm, height variable, including mounting hardware (without Philips Table Top Mount)

Variable height support arms flexion-port

Installation	Load capacity	Item number (L = 400 mm)
iTD Wall Channel	11-20 kg / 24.2-44 lbs	HA.2096.903
Standard runner, horizontal	11-20 kg / 24.2-44 lbs	HA.2171.903
Pole \varnothing 25-42 mm	11-20 kg / 24.2-44 lbs	HA.2172.903
Wall Channel GCX	11-20 kg / 24.2-44 lbs	HA.2173.903

- The adapter for mounting on the vertical standard runner can be found on page 85
- The mounting kit for support arms on equipment carts can be found on page 84

Keyboard holder for support arms flexion-port for Philips IntelliVue MX600-850

	Load capacity	Item number (L = 400 mm)
Keyboard holder	5 kg / 11 lbs	HA.1024.991

- Posts ("Down-Post") for mounting devices with Klemmen (\varnothing 28 mm) can be found on page 82

Variable height support arms flexion-port

Length: 400 mm



Installation



iTD
Wall Channel



Standard runner

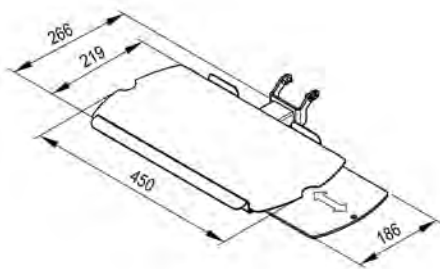


Pole



Wall Channel
GCX

Keyboard holder for support arms flexion-port for Philips IntelliVue MX600-850



flexion-port
Variable height support arms

modul-port

**SYSTEM COMPONENTS
AND ACCESSORIES**



THE ITD SUPPORT EXTRUSION – AN IDEAL BASIC FOR LONG-RANGE REQUIREMENTS

Materials / quality

- High-quality materials (aluminium / aluminium cast / steel) and precise manufacturing guarantee reliable applications over a long timeframe
- Strict safety and quality inspection ensure optimum operational dependability

Cover strips

- Available in various lengths for enclosing inactive profile areas
- Facilitate virtually invisible cabling and can easily be wiped clean for optimum hygiene

Electrification

- Variable integration of all conventional national and international socket strips; middle shafts of the support columns enable a power connection where required
- The space-saving connection box for connecting electric circuits is conveniently situated in the middle shaft of the support profile

Support extrusion

- The iTD Wall Channel is available as "Economy" or "Profi" version (to accept electric components, e.g. socket strips) as well as "Flat" solution
- The flexible system design and range of sizes can be tailor-made to accommodate virtually all of your requirements
- Universal use guaranteed by various installation options, for example on the wall or on standard runners
- The option for continual adjustments or addition of new components ensure optimum future viability
- Two T-slots with thread plates (grid 32 mm) on the front of the profile can accommodate system components and accessories including shelves, drawers, keyboard holders or standard runners

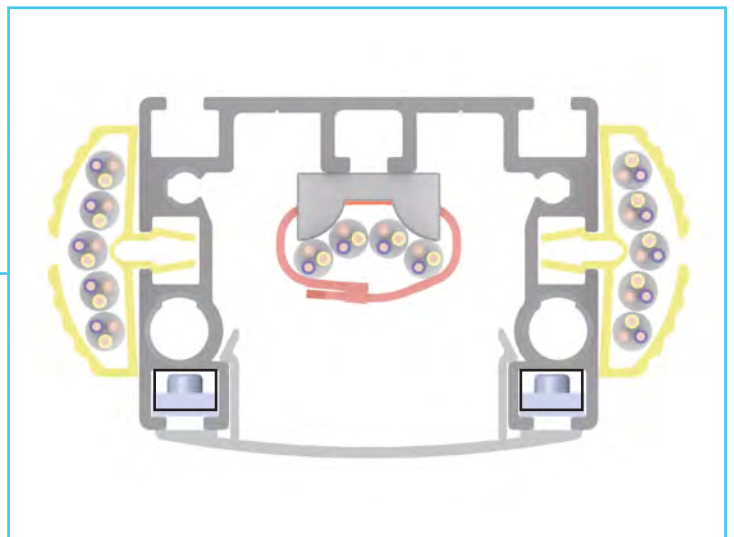




Hygiene

- Smooth surface moulding is easily wiped clean
- Small gaps prevent germ formation

Cross section: the iTD Wall Channel



Cable management

- The Wall Channel allows clean and concealed cable routing for the outgoing cable and spare cables
- Horizontally mounted cable channels offer an additional placement option as well as separate data lines and network connections
- Cabling continues out of the wall channel along the underside of any support arm, allowing cabling to be directed by its own cable channel to the appropriate device
- Integrated strain reliefs protect the cable from becoming unplugged

iTD WALL CHANNEL

iTD Wall Channels “Economy” and “Profi”

Features Wall Channels:

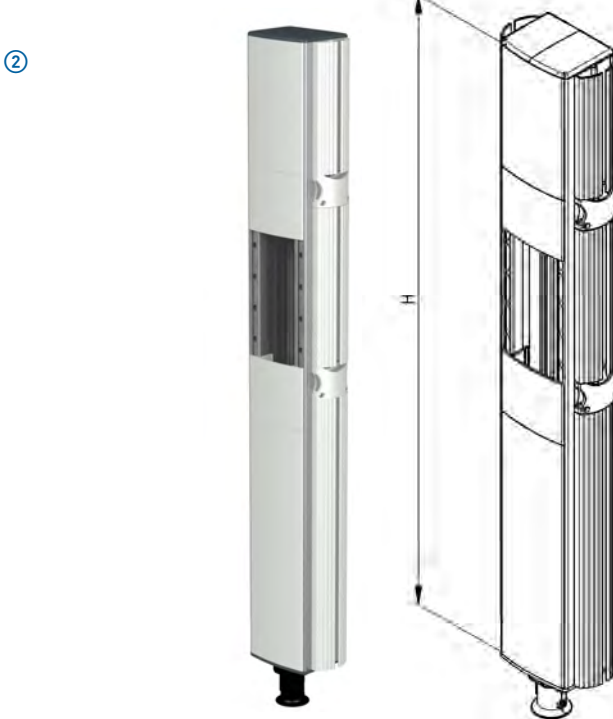
- The iTD Wall Channel is available in two versions: “Economy” and “Profi”
- Accomodates support arms and various accessories as well as socket strips and data lines

Installation: On the wall or horizontal standard runner (with mounting kit, see page 58)
 Finish: Wall Channel: aluminium, natural anodized, Cable duct: RAL 7035 light grey, caps (top and bottom): RAL 7016 anthracite
 Scope of delivery: ① The Wall Channel “Economy”: 1 support extrusion with 2 tapped strips, mounting grid 32 mm in both front T-slots, 2 caps (top and bottom), including mounting hardware
 ② The Wall Channel “Profi”: 1 support extrusion with 2 tapped strips, mounting grid 32 mm in both front T-slots, 1 cap, 1 cap with strain relief instead of caps bottom, 1 continuous cable duct on one side with a strain relief, several cable ducts and strain reliefs on the other side (depending on length) including mounting hardware

iTD Wall Channel “Economy”



iTD Wall Channel “Profi”



iTD Wall Channel “Economy” and “Profi”

Installation height H (in units U)	Installation height H (in mm)	Load capacity	Item number ① “Economy”	Item number ② “Profi”
10 U ¹⁾	320 mm	35 kg / 77 lbs	TS.6040.991	TS.6006.991
15 U ¹⁾	480 mm	50 kg / 110 lbs	TS.6046.991	TS.6008.991
20 U ¹⁾	640 mm	50 kg / 110 lbs	TS.6041.991	TS.6001.991
30 U ¹⁾	960 mm	100 kg / 220 lbs	TS.6042.991	TS.6002.991
40 U ¹⁾	1280 mm	125 kg / 275 lbs	TS.6043.991	TS.6003.991
50 U ¹⁾	1600 mm	150 kg / 330 lbs	TS.6044.991	TS.6004.991
60 U ¹⁾	1920 mm	150 kg / 330 lbs	TS.6045.991	TS.6005.991

iTD WALL CHANNEL

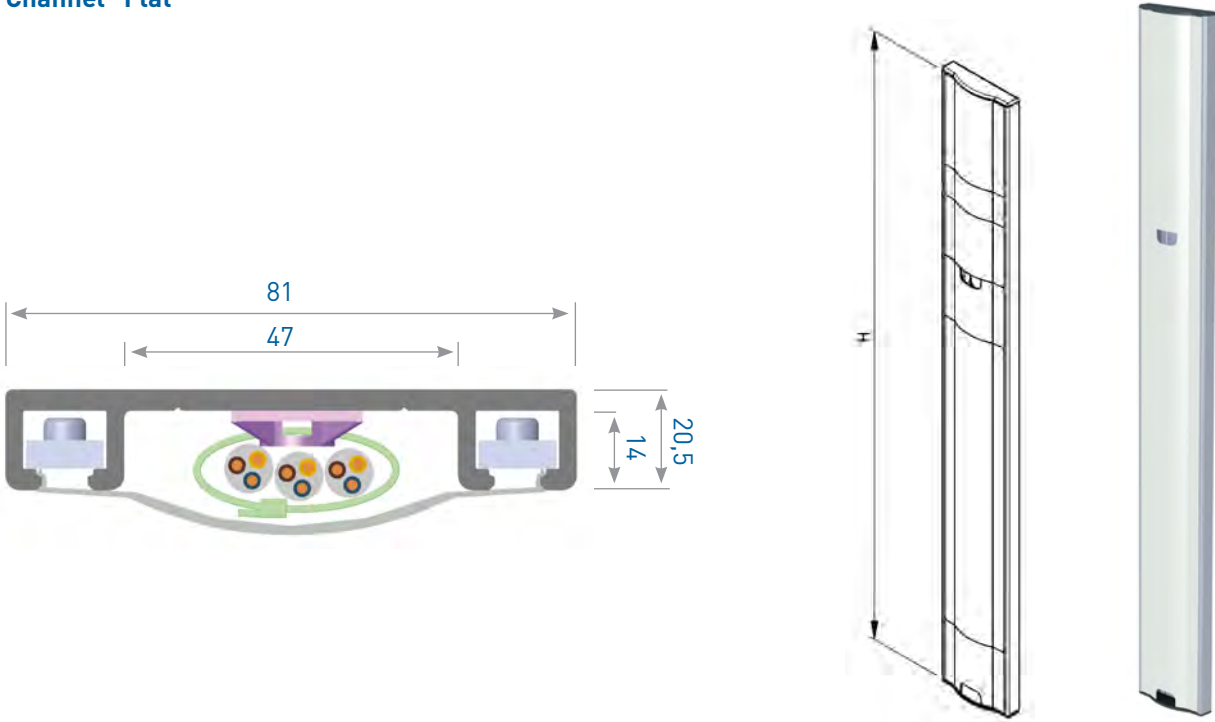
iTD Wall Channel "Flat"

Features wall channels:

- Accomodates support arms and various accessories almost directly to the wall
- A cable channel (inside) allows the accommodation of diverse data cables
- Installation directly on the wall

Installation: On the wall
 Finish: iTD Wall Channel: aluminium, natural anodized,
 Caps (top / bottom): RAL 7016 anthracite,
 Cover strips: RAL 7035 light grey
 Scope of delivery: iTD Wall Channel "Flat", with 2 tapped strips, 2 caps, cover strips (depending on length) including mounting hardware

iTD Wall Channel "Flat"



iTD Wall Channel "Flat"

Installation height H (in units U)	Installation height H (in mm)	Load capacity	Item number
10 U 1)	320 mm	25 kg / 55 lbs	TS.6440.991
15 U 1)	480 mm	50 kg / 110 lbs	TS.6446.991
20 U 1)	640 mm	50 kg / 110 lbs	TS.6441.991
30 U 1)	960 mm	75 kg / 165 lbs	TS.6442.991
40 U 1)	1280 mm	75 kg / 165 lbs	TS.6443.991
50 U 1)	1600 mm	100 kg / 220 lbs	TS.6444.991
60 U 1)	1920 mm	100 kg / 220 lbs	TS.6445.991

modul-port
System components

MOUNTING ACCESSORIES

Mounting kit for iTD Wall Channel “Economy” and “Profi”

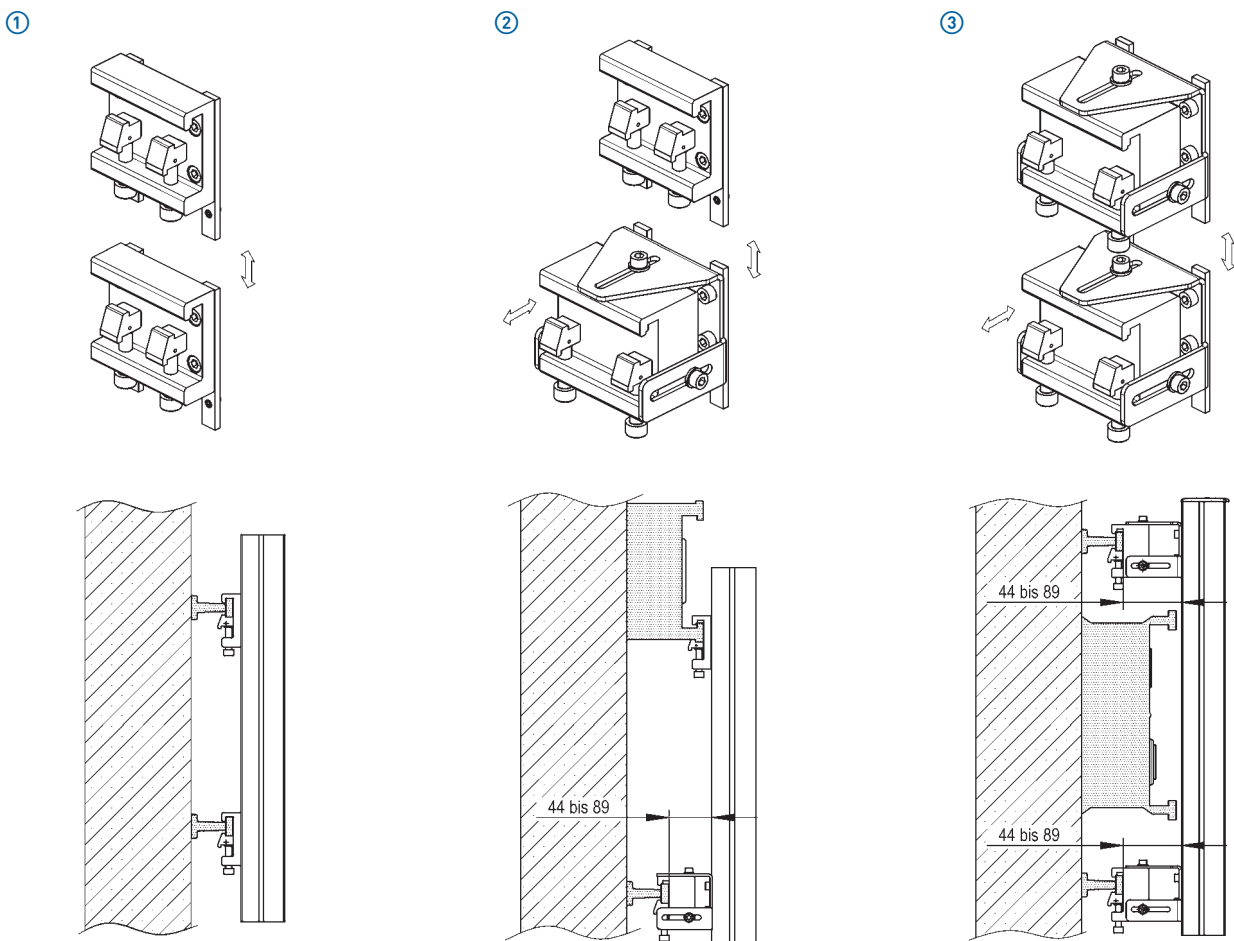
Features mounting kit:

- Used to attach the Wall Channel to the existing standard runners
- Applicative for iTD Wall Channel “Economy” and “Profi”

Installation:

- ① on two standard runners positioned one above the other with the same wall gap
- ② to a standard runner and supply duct (with different wall gap)
- ③ to two standard runners positioned one above the other with option of bridging the supply duct

Finish: RAL 7035 light grey powder-coated
 Scope of delivery: 2 adapters (depends on model) including mounting hardware



Mounting kit

Models	Item number
① Mounting kit	TS.6011.991
② Mounting kit with one spacer	TS.6012.991
③ Mounting kit with two spacers	TS.6013.991

BENCH SUPPORT

Bench support

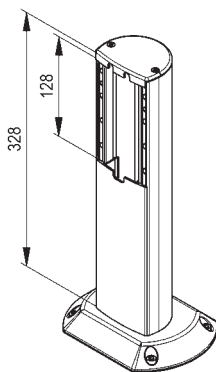
Features bench support:

- Accommodates various support arms and monitor holders

Installation: Mounted to the drilled worktop or shelf with the screws and the counter plate supplied
Load capacity: Up to 20 kg / 44 lbs
Installation height: 10 U (320 mm)
Finish: RAL 7035 light grey powder-coated
Scope of delivery: 1 bench support with tapped strips, 1 cap and cover strip including mounting hardware

Bench support

Application



modul-port
System components

Bench support

Item number

Bench support, 10 U (320 mm)

TS.6020.991

DESK ADAPTER

Desk adapter with VESA 75 / 100 adapter, Universal adapter or Philips Table Top Mount Adapter

Features desk adapter:

- Accommodates monitors with VESA 75 / 100 adapters or universal adapter or Philips monitors IntelliVue MX400-850 and AD75/85
- Tilt range of monitor holder $\pm 15^\circ$ (individually adjustable by monitor weight) and swivel range $\pm 160^\circ$

Installation:	Fixed to the drilled worktop or shelf using the screws supplied and a counter plate
Load capacity:	Up to 14 kg / 30.8 lbs, ⑤ up to 20 kg / 44 lbs (Table Mount Adapter up to 14 kg / 30.8 lbs)
Models:	<ul style="list-style-type: none"> ① Desk adapter with VESA 75 / 100 adapter, universal ② Desk adapter with universal adapter (manufacturer-specific adapter plates from page 79) ③ Desk adapter with Philips Table Top Mount Adapter ④ Desk adapter with Philips Table Top Mount Adapter and vertical holder
Finish:	RAL 7035 light grey powder-coated ⑤ Support post: aluminium, natural anodized
Scope of delivery:	1 desk adapter with tilt-and swivel unit and monitor holder ③ ④ without Philips Table Top Mount

Desk adapter	
Models	Item number
① Desk adapter with VESA 75 / 100 adaption, universal	TS.6337.991
② Desk adapter with universal adapter	TS.6407.991
③ Desk adapter with Table Top Mount Adapter for Philips IntelliVue MX400-850 / AD75/85	TS.6025.991
④ Desk adapter with Table Top Mount Adapter for Philips IntellivVue MX400-850 / AF75/85 on column with vertical holder	TS.6157.991

Desk adapter with VESA 75 / 100 adapter

①



Application



Desk adapter with universal adapter

②



Application



Desk adapter with Philips Table Top Mount adapter

③



④



Application



MONITOR HOLDER WITH VESA 75 / 100 ADAPTATION

Monitor holder with VESA 75 / 100 adaptation

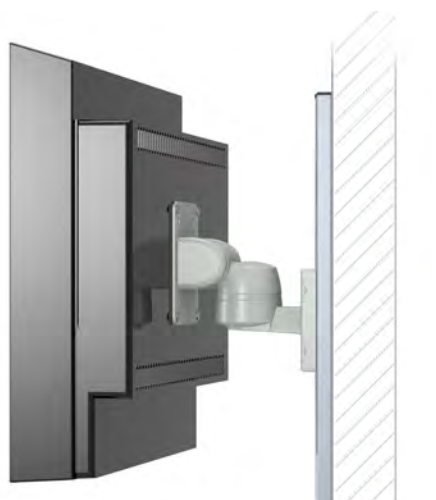
Features monitor holder:

- Acceptance of monitors with VESA 75 / 100 adaptation
- Tilting of the monitor (upwards or downwards) with the same, low effort due to spring force assistance
- Can be tilted by $\pm 20^\circ$ and swivelled by $\pm 20^\circ$

Technical data: From page 102
 Installation height: 3 U (96 mm)
 Finish: RAL 7035 light grey powder-coated (RAL 9016 traffic white possible on request)
 Scope of delivery: 1 monitor holder including mounting hardware

Monitor holder

Application



Installation



iTD
Wall Channel



① Pole \varnothing 35-38mm



② Pole \varnothing 25-42mm



Wall

Monitor holder

Installation	Monitor depth at maximum loadh	Item number Monitor weight 0-14 kg / 0-30.8 lbs	Item number Monitor weight 14-18 kg / 30.8-39.6 lbs
iTD Wall Channel	max. 10 cm	TH.2002.991	TH.2003.991
① Pole \varnothing 35-38 mm	max. 10 cm	TH.2004.991	TH.2005.991
② Pole \varnothing 25-42 mm	max. 10 cm	TH.2029.991	TH.2030.991
Wall	max. 10 cm	TH.2000.991	TH.2001.991

- The adapter for mounting on the vertical standard runner can be found on page 85

MONITOR HOLDER WITH VESA ADAPTATION

Monitor holder with VESA adaptation

Features monitor holder:

- Acceptance of monitors with:
 - ① VESA 75 / 100 adaptation, tilt range $\pm 15^\circ$, swivel range $\pm 25^\circ$
 - ② VESA 75 / 100 adaptation, rigid
 - ③ VESA 75 / 100 adaptation, tilt range $\pm 20^\circ$, rotation range $\pm 5^\circ$
 - ④ VESA 75 / 100 adaptation, tiltable by $\pm 20^\circ$

Technical data: From page 102
 Installation height: 4 U (128 mm)
 Finish: RAL 7035 light grey powder-coated
 Scope of delivery: 1 monitor holder including mounting hard

Monitor holder

Application



Monitors

Models / Installation	Monitor weight	Monitor depth at maximum load	Item number
iTD Wall Channel	0-14 kg / 0-30.8 lbs	max. 10 cm	TS.6359.991
iTD Wall Channel	0-18 kg / 0-39.6 lbs	max. 10 cm	TS.6428.991
iTD Wall Channel	0-14 kg / 0-30.8 lbs	max. 10 cm	TS.6391.991
iTD Wall Channel	14-18 kg / 30.8-39.6 lbs	max. 10 cm	TS.6392.991

- The adapter for mounting on the vertical standard runner can be found on page 85

mf-port RIGID ARM WITH VESA 75 / 100 ADAPTATION

Support arm, rigid, with VESA 75 / 100 adaptation

Features support arm:

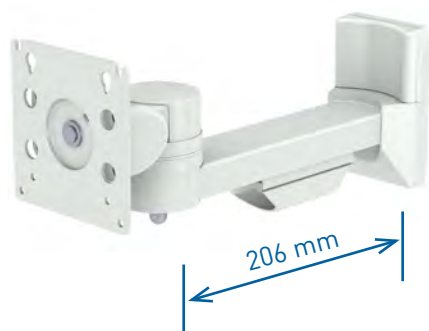
- Large-volume cable conduit with strain relief facilitates accommodation of various cables

Features monitor holder:

- For mounting monitors with VESA 75 / 100 adaptation
- Tilting of the monitor (upwards or downwards) with the same, low effort due to spring force assistance
- Can be tilted by $\pm 20^\circ$, swivelled by $\pm 80^\circ$ and rotated by $\pm 5^\circ$
- Easy compensation of the inclined position of the display by rotating the bracket

Load capacity: Support arm, rigid: up to 23 kg / 50.6 lbs
 Technical data: From page 103
 Installation height: 4 U (128 mm)
 Finish: RAL 7035 light grey powder-coated
 Scope of delivery: 1 support arm, rigid, including mounting hardware

Support arm, rigid



Application



Installation



Support arm, rigid, with VESA 75 / 100 adaptation

Installation	Monitor weight	Monitor depth at maximum load	Item number
iTD Wall Channel	0-14 kg / 0-30.8 lbs	max. 10 cm	TS.6369.991
	14-18 kg / 30.8-39.6 lbs	max. 10 cm	TS.6370.991
Standard runner, horizontal	0-14 kg / 0-30.8 lbs	max. 10 cm	TS.6371.991
	14-18 kg / 30.8-39.6 lbs	max. 10 cm	TS.6372.991
Pole \varnothing 25-42 mm	0-14 kg / 0-30.8 lbs	max. 10 cm	TS.6373.991
	14-18 kg / 30.8-39.6 lbs	max. 10 cm	TS.6374.991

- The adapter for mounting on the vertical standard runner can be found on page 85
- The mounting kit for support arms on equipment carts can be found on page 84

mf-port RIGID ARM WITH ADAPTER UNIVERSAL

Support arm, rigid, with universal adapter

Features support arm:

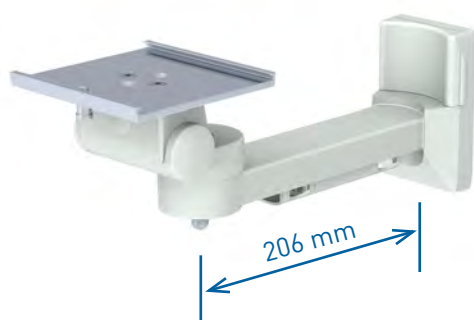
- Large-volume cable conduit with strain relief facilitates accommodation of various cables

Features monitor holder:

- Universal adapter to accommodate monitor-specific adapter plates (see page 71 for examples)
- Tilt range $\pm 15^\circ$ (individually adjustable by monitor weight) and swivel range $\pm 80^\circ$

Load capacity: Support arm, rigid: up to 23 kg / 50.6 lbs
 Technical data: From page 103
 Installation height: 4 U (128 mm)
 Finish: RAL 7035 light grey powder-coated
 Scope of delivery: 1 support arm, rigid, including mounting hardware

Support arm, rigid



Application



Installation



Support arm, rigid, with universal adapter

Installation	Monitor weight	Item number
iTD Wall Channel	0-14 kg / 0-30.8 lbs	TS.6398.991
Standard runner, horizontal	0-14 kg / 0-30.8 lbs	TS.6399.991
Pole \varnothing 25-42 mm	0-14 kg / 0-30.8 lbs	TS.6400.991

- The adapter for mounting on the vertical standard runner can be found on page 85
- The mounting kit for support arms on equipment carts can be found on page 84

MONITOR MOUNTS RIGID

PHILIPS INTELLIVUE MP5 / MX400-850 / AD75/85

Support arm, rigid, with table top mount adapter for MP5 / MX400-850 / AD75/85

Features support arm:

- Large-volume cable conduit with strain relief facilitates accommodation of various cables

Features monitor holder, universal:

- Support arm adapter for Philips IntelliVue MP5 / MX400-850 / AD75/85
- Tilt range $\pm 15^\circ$ (individually adjustable by monitor weight) and swivel range $\pm 80^\circ$

Load capacity:	Support arm, rigid: up to 23 kg / 50.6 lbs
Technical data:	From page 103
Installation height:	4 U (128 mm)
Finish:	RAL 7035 light grey powder-coated
Scope of delivery:	1 support arm, rigid with cable hook, including mounting material (without table top mount adapter)

Support arm, rigid

Application



Installation



iTD
Wall Channel



Standard runner



Pole

Support arm, rigid, for Philips IntelliVue AD75/85 / MX400-850

Installation	Length	Monitor weight	Item number
iTD Wall Channel	142 mm	0-14 kg / 0-30.8 lbs	TS.6250.991
Normschiene, horizontal	206 mm	0-14 kg / 0-30.8 lbs	TS.6254.991
Rundrohr \varnothing 25-42 mm	142 mm	0-14 kg / 0-30.8 lbs	TS.6248.991

- Adapter für die Befestigung an der vertikalen Normschiene finden Sie auf Seite 85
- Das Befestigungsset für die Anbindung am Gerätewagen finden Sie auf Seite 84

mf-port RIGID ARM FOR PHILIPS INTELLIVUE MP2 / X2

Support arm, rigid, with power pack holder for Philips IntelliVue MP2 / X2

Features support arm:

- Power pack holder for Philips IntelliVue MP2 / X2 and holder for accommodating cables

Features monitor holder:

- For mounting monitors Philips IntelliVue MP2 / X2
- Sturdy monitor holder position

Load capacity:	Support arm, rigid: up to 23 kg / 50.6 lbs Power pack holder: up to 5 kg / 11 lbs
Technical data:	From page 103
Installation height:	4 U (128 mm)
Finish:	RAL 7035 light grey powder-coated
Scope of delivery:	1 support arm, rigid, including mounting hardware

Support arm, rigid



Application



Installation



iTD
Wall Channel



Standard runner



Pole

Support arm, rigid, for Philips IntelliVue MP2 / X2

Installation	Length	Monitor weight	Item number
iTD Wall Channel	100 mm	0-5 kg / 0-11lbs	TS.6283.991
Standard runner, horizontal	140 mm	0-5 kg / 0-11lbs	TS.6284.991
Pole Ø 25-42 mm	128 mm	0-5 kg / 0-11lbs	TS.6285.991

- The adapter for mounting on the vertical standard runner can be found on page 85
- The mounting kit for support arms on equipment carts can be found on page 84

DUAL MONITOR MOUNT WITH VESA 75 / 100 ADAPTION

Dual monitor mount with VESA 75 / 100 adaptation, universal

Features support arm:

- A holder for accommodating cables

Features Monitor mount with VESA 75 / 100 adaptation, universal:

- Accommodates monitors with VESA 75 / 100 adaption.
- Tilt range $\pm 15^\circ$ (individually adjustable by monitor weight) and swivel range $\pm 80^\circ$

Load capacity:	Support arm, rigid: up to 28 kg / 61.7 lbs
Technical data:	From page 103
Installation height:	4 U (128 mm)
Finish:	RAL 7035 light grey powder-coated
Scope of delivery:	1 support arm, rigid, including mounting hardware (without Table Top Mount adapter)

Support arm, rigid



Application



iTD
Wall Channel

Double monitor holder with VESA 75 / 100 adaptation, universal

Installation	Monitor weigh	Item number
iTD Wall Channel	0-14 kg / 0-30.8 lbs (per bracket)	TS.6325.991

- Adapters for attachment to the vertical standard rail can be found on page 85
- The mounting set for attachment to the equipment cart can be found on page 84

MONITOR HOLDER WITH ANCHOR

Monitor holder with VESA adaptation or universal adapter on standard runner or on pole

Features anchor:

- Rotatable by 90°
- ① ③ Locking of rotation by means of indexing bolt and ② ④ Engaging in end position without indexing bolt
- ② ④ Adjustment to different diameters in seconds, thanks to quick-release clamp with
- Unlocking function of the spindle
- For mounting the monitor holder on standard rail (horizontal / vertical) or round tube (Ø 25-42 mm)

Features monitor holder:

- Connected to the holding claw via a short extension arm
- ① ③ Tiltable by ± 15° (adjustable to the monitor weight) and ± 80° rotatable
- ② ④ can be tilted by ± 20° and rotated by ± 20°, little force required due to spring force support
- Depending on the model with VESA 75 / 100 adaptation or universal adapter

Finish: Monitor holder: RAL 7035 light grey powder-coated; anchor: anodized
 Load capacity: Monitor holder: 5 kg / 11 lbs
 Scope of delivery: 1 monitor holder with VESA 75 / 100 adaptation or universal adapter on anchor including mounting hardware

Monitor holder with VESA 75 / 100 adaptation



Application



Monitor holder with universal adapter



Application



Monitor holder

Models	Item number
① Monitor holder with VESA 75 / 100 on anchor	TS.6294.991
② Monitor holder with VESA 75 / 100 on rapid mounting anchor	TS.6396.991
③ Monitor holder with universal adapter on anchor	TS.6293.991
④ Monitor holder on universal adapter on rapid mounting anchor	TS.6595.991

ANCHOR

Anchor

Features anchor:

- It is used for mounting and fastening medical equipment to standard runner and pole

Models:

- Anchor, rigid, for accomodation on the standard runner
- Anchor, with rotation (by 90°), for Philips IntelliVue MP2 / X2 on standard runner / pole

Material: Anchor: Aluminium
Adapter plate (rotation unit): sheet steel
Load capacity: 5 kg / 11 lbs
Finish: Anchor: anodized, adapter plate: RAL 7035 light grey powder-coated
Scope of delivery: 1 anchor including mounting hardware

Anchor, rigid



Application



Anchor, rotatable



Application



Anchor

Models

Anchor, rigid

Anchor, rotatable (by 90°)

Anchor, quick release

Item number

ZV.9820.799

TS.6282.991

TS.0910.799

ADAPTER PLATES

Adapter plates for monitor holders

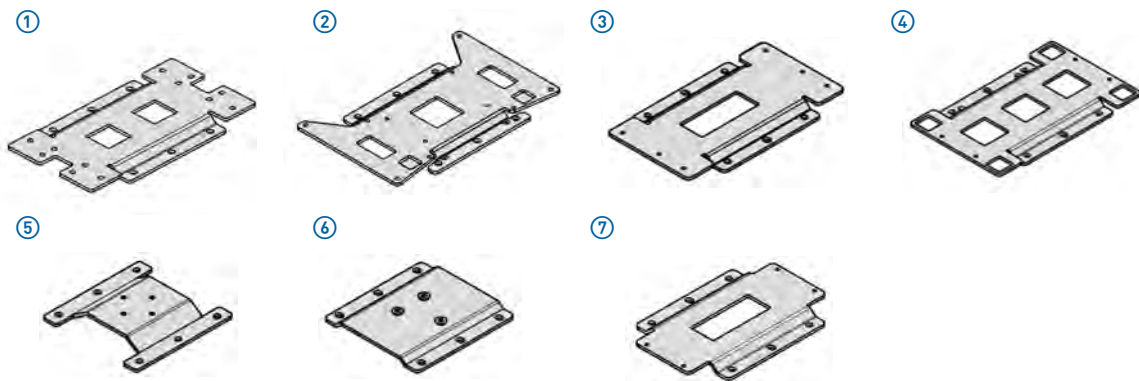
Features adapter plates:

- The monitor-specific adapter plates are bolted down with the monitor
- Stop bolts on the support arm of the attached monitor holder secure everything in place

Material: Aluminium
 Load capacity: up to 14 kg / 30.8 lbs
 Finish: anodized
 Scope of delivery: 1 adapter plate including mounting hardware



Adapter plates for universal adapter



Adapter plate for VESA 75 / 100

Application



Adapter plates for universal adapter

Manufacturer	Type of monitor	Dimensions (W x D)	Item number
① Mindray	BeneView T5 / T8 / PM-9000	215 mm x 122 mm	TS.0657.999
② Nihon Kohden	Life Scope L / TR / PVM	214 mm x 122 mm	TS.0576.999
③ Nihon Kohden	Life Scope VS / BSM	205 mm x 122 mm	TS.0670.999
④ Nihon Kohden	SVM 7501 / 7503 / 7521 / 7523	200 mm x 122 mm	TS.0892.999
⑤ Philips	Efficia CM 100 / 120 / 150, SureSigns VM1-VM8	126 mm x 122 mm	TS.0469.999
⑥ Philips	Slide In für IntelliVue MX 400-800	127 mm x 122 mm	TS.0822.999
⑦ Nihon Kohden	Vismo PVM-4000	180 mm x 122 mm	TS.0904.999

Adapter plate for VESA 75 / 100

⑧ Spacelabs	SL 2600	127 mm x 127 mm	TS.0824.999
-------------	---------	-----------------	--------------------

- Other adapter plates on request

BED MOUNT

Bed mount with universal holder or for Philips Table Top Mount adapter

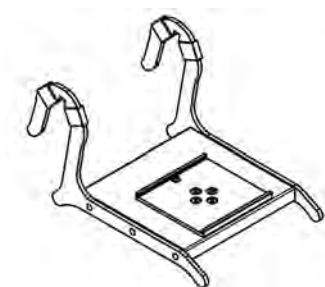
Features bed mount:

- For mounting manufacturer-specific monitors using an adapter plate: see page 85
- For mounting of Philips MX400-550 and MP2/X2 (optionally with battery extension)
- For installation on the bed frame or on the standard runner

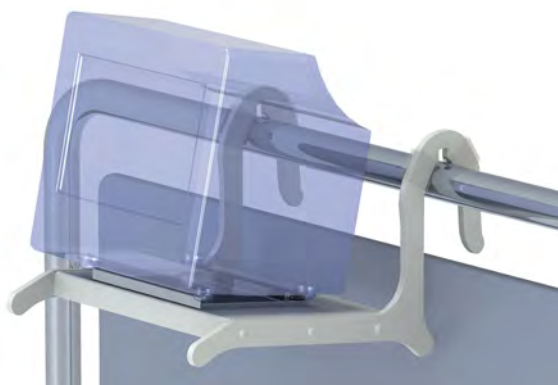
Load capacity: up to max. 15 kg / 33 lbs.
 Finish: RAL 7035 light grey powder-coated
 Scope of delivery: 1 bed mount

Bed mount with universal holder

①

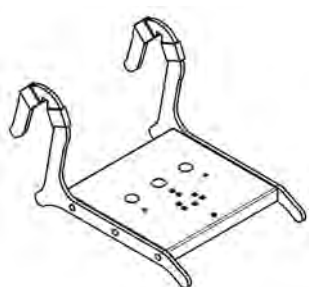


Application



Bed mount for Table Top Mount adapter

②



Application



Bed mount

Models	Item number
① Bed mount with locking pin for fixing the monitor adapter panel (centre)	TS.6386.991
② Bed mount for Table Top Mount-Adapter for fixing Philips monitors	TS.6384.991

BED MOUNT FOR PHILIPS MP2 / X2 / X3 POWER SUPPLY HOLDER FOR PHILIPS MP2 / X2

Bed mount for Philips IntelliVue MP2 / X2 / X3

Features bed mount:

- For mounting of Philips IntelliVue MP2 / X2 / X3
- For installation on the bed frame or on the standard runner

Load capacity: up to max. 10 kg / 22 lbs
 Finish: RAL 7035 light grey powder-coated
 Scope of delivery: 1 bed mount including mounting hardware

Bed mount for Philips IntelliVue MP2 / X2 / X3



Application



Bed mount

	Item number
Bed mount for Philips IntelliVue MP2 / X2 / X3 monitors	TS.6281.991

Power pack holder for bed mount for Philips IntelliVue MP2 / X2

Features power pack holder:

- For installation of the power pack on bed mount for Philips IntelliVue MP2 / X2

Load capacity: up to 3 kg / 6.6 lbs
 Finish: RAL 7035 light grey powder-coated
 Scope of delivery: 1 power pack holder including mounting hardware

Power pack holder for bed mount



Power pack holder

	Item number
Power pack holder for bed mount (Philips IntelliVue MP2 / X2 monitors)	TS.0659.991

KEYBOARD HOLDERS

Keyboard holder

Features keyboard holder:

- They can accommodate keyboards of different sizes and permit ergonomic and user-friendly operation
- The mousepad slides out on both sides
- The powder-coated surface is easy to clean and is resistant to cleaning agents and disinfectants)

Models: ① Keyboard holder with mf-port support arm, rigid, on iTD Wall Channel
 ② Keyboard holder with mf-port pivot arm, single, on iTD Wall Channel

Load capacity: Keyboard holder: up to 5 kg /11 lbs (distributed load)

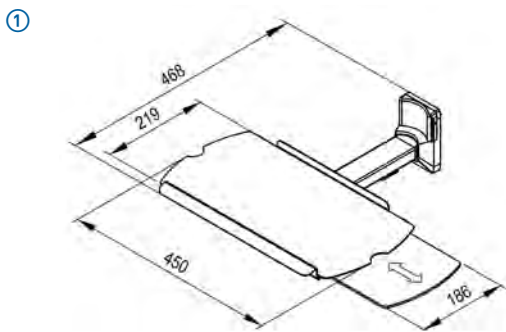
Installation height: 4 U (128 mm)

Finish: RAL 7035 light grey powder-coated

Scope of delivery: 1 keyboard holder with support arm including mounting hardware

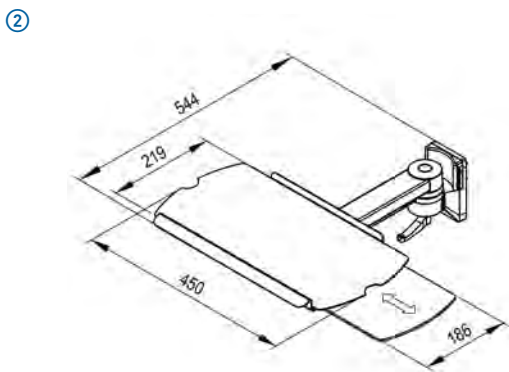
Keyboard holder with rigid support arm

Application



Keyboard holder with pivot arm

Application



Keyboard holders

Models	Item number
① Keyboard holder with support arm, rigid, on iTD Wall Channel	RS.4385.991
② Keyboard holder with pivot arm, single, on iTD Wall Channel	TS.6342.991

- The mounting set for connection to the equipment cart can be found on page 84

KEYBOARD HOLDERS / MOUSEGARAGE

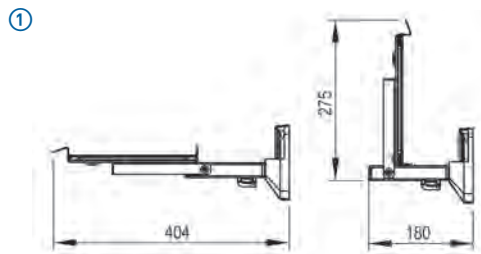
Keyboard holders / mouse garage

Features keyboard holder:

- They can accommodate keyboards of different sizes and permit ergonomic and user-friendly operation
- The mousepad slides out on both sides
- The powder-coated surface is easy to clean and is resistant to cleaning agents and disinfectants

Models:	① Keyboard holder, fold-away, on iTD Wall Channel ② Keyboard holder, pull-out (extension length 157 mm), on iTD Wall Channel
Load capacity:	Keyboard holder: up to max. 5 kg / 11 lbs (surface load)
Installation height:	4 U (128 mm)
Finish:	RAL 7035 light grey powder-coated
Scope of delivery:	① 1 keyboard holder with mouse garage including mounting hardware ② 1 keyboard holder including mounting hardware

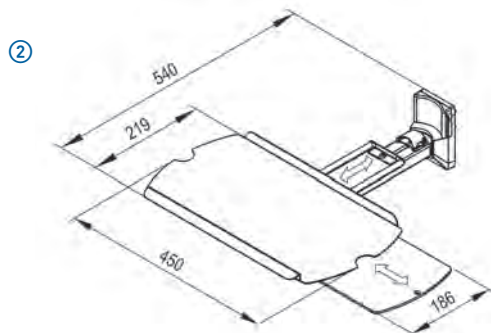
Keyboard holder with mouse garage, fold-away



Application



Keyboard holder, pull-out



Application



Mouse garage



Keyboard holders

Models	Item number
① Keyboard holder with mouse garage, fold-away	TS.6099.991
② Keyboard holder pull-out	TS.6247.991
Mouse garage	ZV.9295.999

- The mounting set for connection to the equipment cart can be found on page 84.

SHELVES

Shelves

Features shelf:

- The continuous raised edge provides a secure platform for valuable medical equipment
- The rounded corners protect users from injuries
- The powder-coated surface is easy to clean and is resistant to cleaning agents and disinfectants

Models: ① Shelf on horizontal standard runner, ② Shelf on iTD Wall Channel, ③ Shelf, pivotable with swivel arm on iTD Wall Channel

Load capacity: Shelves: ① ② up to 10 kg / 22 lbs (distributed load) / ③ up to 15 kg / 33 lbs (distributed load)
Swivel Arm: up to 23 kg / 50.6 lbs

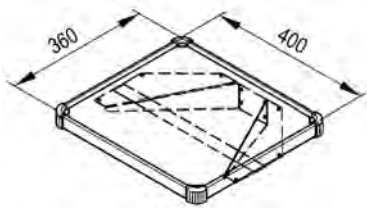
Finish: RAL 7035 light grey powder-coated

Installation height: ① ② 3 U (96 mm), ③ 4 U (128 mm)

Decorative trims: See ¹⁾

Scope of delivery: 1 shelf including mounting hardware

Shelf



① Application

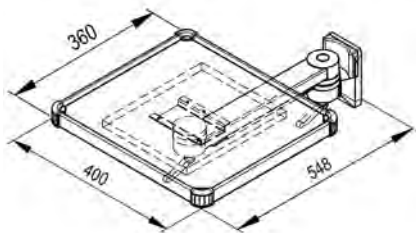


②



Shelf rotatable

③



Application



Shelves

Models

Models	Dimensions (W x D)	Item number
① Shelf on horizontal standard runner	400 mm x 360 mm	MZ.0004.XXX ¹⁾
② Shelf on iTD Wall Channel	400 mm x 360 mm	RS.4360.XXX ¹⁾
③ Shelf, pivotable, with pivot arm, single, on iTD Wall Channel	400 mm x 360 mm	TS.6052.XXX ¹⁾

- Further adaptations e.g. on standard runner available on request

DRAWERS

Drawers

Features drawers:

- Roller-guided 3/4 slides guarantee easy-slide drawers
- The lift-out drawer unit makes cleaning easy
- Easy to clean and resistant to cleaning agents and disinfectants
- The top for the drawer is always a shelf. Users derive benefit from the continuous raised edges.
- The rounded edges protect against injury and provide an important design element for presenting the Corporate Identity of the customer

Models: ① Block of drawer on horizontal standard runner, ② Drawer on iTD Wall Channel, ③ Block of drawer, high, double, on iTD Wall Channel

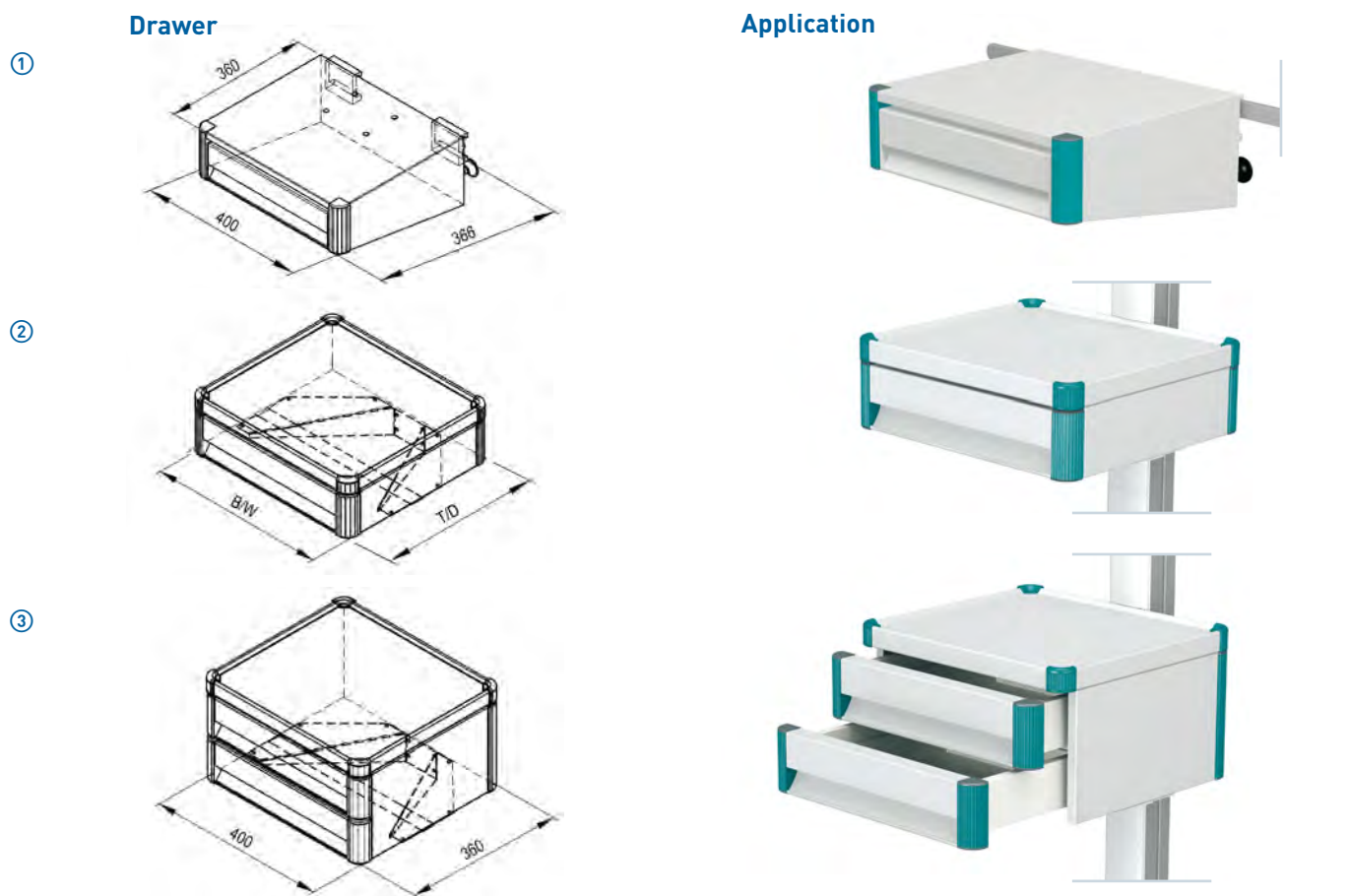
Load capacity: Shelf: ① ② up to max. 10 kg / 22 lbs (distributed load), ③ up to max. 5 kg / 11 lbs (distributed load)

Installation height: ② 6 U (192 mm), ③ 9 U (288 mm)

Finish: RAL 7035 light grey powder-coated

Decorative trims: See ¹⁾

Scope of delivery: 1 drawer including mounting hardware



modul-port
System components

Drawer	Models	Dimensions (W x D)	Item number
	① Drawer on standard runner, horizontal	400 mm x 366 mm	MZ.6001.XXX ¹⁾
	② Drawer	400 mm x 360 mm	RS.4363.XXX ¹⁾
	③ Block of drawers, high, double	400 mm x 360 mm	RS.4389.XXX ¹⁾

COMPUTER HOLDER

Computer holder

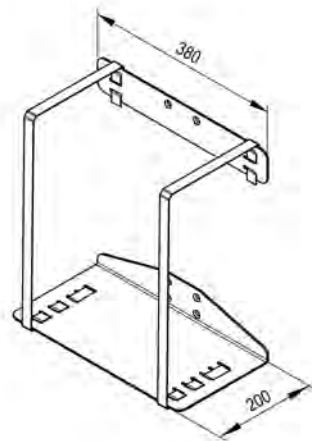
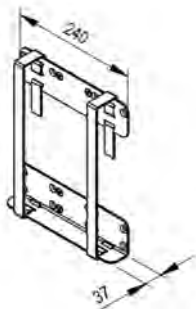
Features computer holder:

- The holders are dimensioned for computers in different sizes
- Two silicon belts guarantee individual adaptability and secure mounting and transporting for computers
- A special computer holder is available for Philips XDS

Intallation: Attached directly on iTD Wall Channel
 Material: Computer holder: sheet steel, belts: silicon
 Installation height: Depends on computer size
 Load capacity: Computer holder, small: 5 kg / 11 lbs; computer holder, large: 20 kg / 44 lbs
 Finish: RAL 7035 light grey powder-coated
 Scope of delivery: 1 computer holder with two silicon belts (L = 1000 mm) including mounting hardware

Computer holder, small / large

Application



Computer holder

Models	Item number
Computer holder, small	TS.6144.991
Computer holder, large	TS.6146.991

POWER PACK HOLDER

Power pack holder

Features power pack holder:

- Accommodates power packs with a maximum size of 250 mm
- Accommodates power packs with a maximum size of 420 mm

Installation: It can be mounted vertically or horizontally to the iTD Wall Channel and at the rear of the universal monitor bracket using VESA 75 / 100 adaptors

Material: Sheet steel / Aluminium

Installation height: Power pack holder, small: 5 U (160 mm)
Power pack holder, large: 7 U (224 mm)

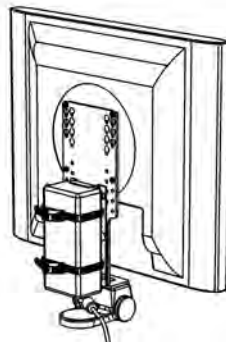
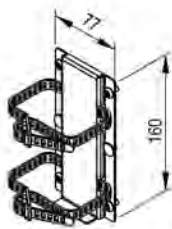
Load capacity: Power pack holder, small: 3 kg / 6.6 lbs. Power pack holder, large: 5 kg / 11 lbs

Finish: RAL 7035 light grey powder-coated

Scope of delivery: 1 power pack holder (small) with 2 cable ties (L = 340 mm) including mounting hardware
1 power pack holder (large) with 2 cable ties (L = 580 mm) including mounting hardware

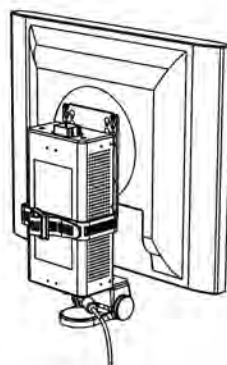
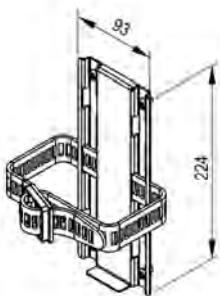
Power pack holder, small

Application



Power pack holder, large

Application



Power pack holder

Models	Item number
Power pack holder, small	TS.0524.991
Power pack holder, large	TS.0574.991

PUMP SUPPORT

Pump support

Features pump support, single:

- For accomodation of infusion and injection systems on a pole (Ø 28 mm)
- The fixing system using spring nuts and T-slots allows the relevant position to be adapted to the pump type

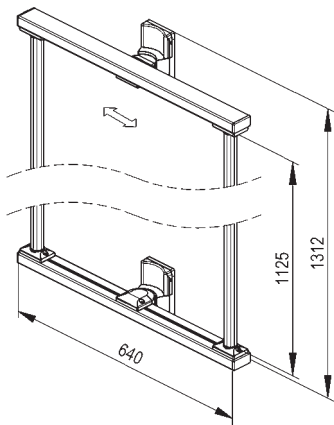
Features pump support, double:

- It is used to attach infusion and injection pumps on two poles (Ø 28 mm)

Installation: Attached directly on ITD Wall Channel
 Load capacity: 35 kg / 77 lbs
 Finish: RAL 7035 light grey powder-coated,
 support post: aluminium, natural anodized
 Scope of delivery: 1 pump support including mounting hardware

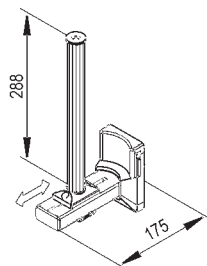


Pump support, double



Pump support, single

Application



Pump support

Models	Item number
Pump support, single	TS.6120.991
Pump support, double	TS.6128.991

STORAGE BASKET

Storage basket

Features storage basket:

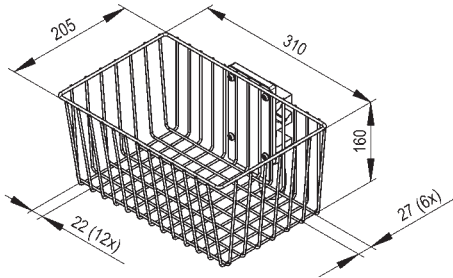
- Accommodates medical accessories

Installation: ① On the horizontal standard runner
 ② Directly on the ITD support Wall Channel
 Material: Steel wire
 Mesh width: Inside dimension 19 mm or 25 mm
 Load capacity: 3 kg / 6.6 lbs (distributed load)
 Installation height: ② 5 U (160 mm)
 Finish: RAL 9016 white, fluidized-bed coated
 Scope of delivery: 1 storage basket including mounting hardware

Storage basket on standard runner

Application

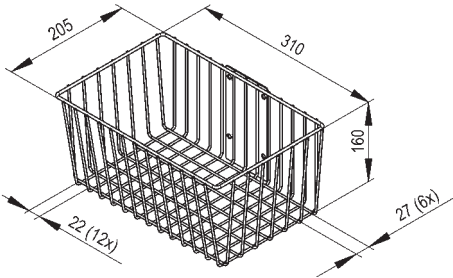
①



Storage basket on iTD Wall Channel

Application

②



Storage basket

Models	Item number
Storage basket on standard runner	ZV.9599.800
Storage basket on iTD Wall Channel	ZV.9967.800

modul-port
System components

POST (“DOWN-POST”)

Post (“Down-Post”), pivotable

Features post:

- Posts are available in fixed or pivotable versions and in various lengths
- For mounting equipment with clamps (Ø 28 mm), e.g. infusion and injection pumps or external racks
- For installation on the support arm, pivot arm, variable height support arm

Models: ① Adapter, fixed for rigid support arms or pivot arms, single or double, variable height support arm flexion-port
 ② Adapter, pivotable, for pivot arms, single or double, variable height support arm rm-port
 Adapter, pivotable, for pivot arms rm-port, single or double

Load capacity: 10 kg / 22 lbs

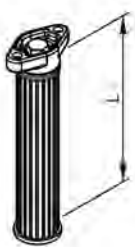
Finish: Adapter: RAL 7035 light grey powder-coated; support post: aluminium, anodized

Scope of delivery: 1 post (“Down-Post”) including mounting hardware

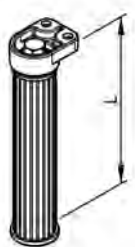
Post (“Down-Post”)

Application

①



②



Post („Down-Post“)

Models	Length	Item number
① Post („Down-Post“), pivotable for flexion-port	128 mm	HA.1005.991
	288 mm	HA.1034.991
② Pfoften („Down-Post“), pivotable for rm-port	128 mm	TH.2006.991
	288 mm	TH.2007.991

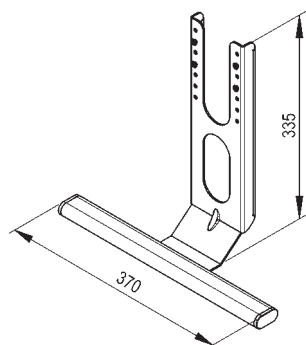
Handle for mounting with VESA 75 / 100 adaptation

Features handle:

- Specially designed for monitor holders with VESA 75 / 100 adaption (with spring force assistance)
- Could be installed afterwards
- Due to its height variability the application and optimal ergonomic positioning is possible for monitors of varying sizes and allows ergonomic positioning

Material: Steel plate
Finish: RAL 7035 light grey powder-coated
Scope of delivery: 1 handle including mounting hardware

Handle for VESA 75 / 100



Application



Handle

	Item number
Handle for mounting with VESA 75 /100 adaptation for rm-port, lf-port and flexion-port	TS.0808.991

STANDARD RUNNER / MOUNTING KIT

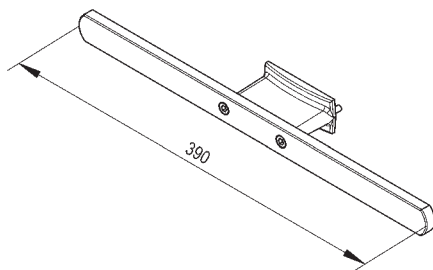
Standard runner (10 mm x 25 mm)

Features standard runner:

- Accommodates medical accessories

Installation: Directly on the ITD Wall Channel
 Material: Aluminum and stainless steel
 Dimensions: 10 mm x 25 mm
 Installation height: 1 U (32 mm)
 Load capacity: 10 kg / 22 lbs (distributed load)
 Scope of delivery: 1 standard runner with adapter and mounting hardware

Standard runner



Application



Standard runner

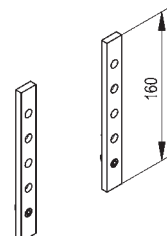
	Item number
Standard runner	RS.0076.991

Mounting kit for rigid and pivot arms on mobile equipment carts

Features mounting kit:

- For installation of different support arms with ITD adapter plate at ITD mobile equipment carts

Finish: Zinc
 Scope of delivery: 2 tapped strips including mounting hardware



Mounting kit

	Item number
Mounting kit for installatin support (pivot and ridig) arms at iTD Mobiile carts	ZV.9731.999

ADAPTER FOR VERTICAL STANDARD RUNNER

Adapter for vertical standard runner

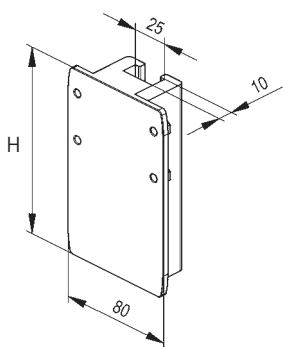
Features adapter:

- For the installation of each support arm with iTD support plates on a vertical standard runner

Models:	① Adapter for variable height support arm flexion-port ② Adapter for pivot arms rm-port and lf-port ③ Adapter for monitor holders rigid and double monitor holders
Load capacity:	20 kg / 44 lbs
Installation height:	① 5 U (160 mm) ② 3 U (96 mm) ③ 4 U (128 mm)
Finish:	Aluminium, anodized
Scope of delivery:	1 adapter including mounting hardware

Adapter

① ② ③



Application



modul-port
System components

Adapter for vertical standard runner

Models	Item number
① Adapter for vertical standard runner (flexion-port)	HA.1035.999
② Adapter for vertical standard runner (rm-port, lf-port)	TH.2010.999
③ Adapter for monitor holders rigid and double monitor holders	TS.0213.999

SOCKET STRIPS

Socket strips

Features socket strips:

- Earthed and EURO socket strips with illuminated switch – depending on the version
- The socket strips are in conformity with the relevant DIN, EN and IEC standards
- A robust metal design meets the toughest mechanical requirements
- The sockets for the socket strips are also inclined at 45°, allowing right-angled plugs to be optimally positioned
- The plastic covers are fire-resistant and self-extinguishing in conformity with the UL standard
- The connecting cables for the earthed socket strips end in a junction box

Models:

- ① EURO socket strips, 3-way, with switch
- ② Earthed socket strips, 4-way, without switch
- ③ Earthed socket strips, 3-way, with switch and external earth connection cable

Socket strips

Application



Socket strips

Models	Rated value	Standard	Item number
EURO socket strips, 3-way, with switch	10 A / 250 VAC	IEC 320	ZV.9639.991
Earthed socket strip, 4-way, without switch	16 A / 250 VAC	CEE7/III	ZV.9669.991
Earthed socket strip, 3-way, with switch	16 A / 250 VAC	CEE7/III	ZV.9640.991

• **Other socket strips on request**

EQUIPOTENTIAL PLUG

Equipotential plug

Features equipotential plug:

- It is used to avoid potential differences

Material: Brass nickel-plated / sheet steel
Installation height: 2 U (64 mm)
Scope of delivery: 4 equipotential plugs with colour marking disc (yellow / green) and mounting bracket including mounting hardware



EQUIPOTENTIAL PLUG

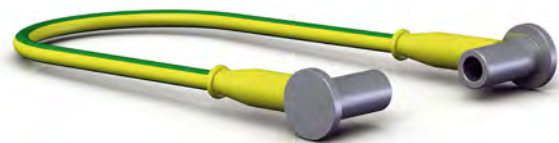
	Item number
Equipotential plug	RS.0125.991

Equipotential cable

Features equipotential cable:

- It is used to connect installed units with the equipotential plug
- Very flexible cable 6 mm² with green and yellow PVC insulation; provided with the inclined equipotential socket KBT6 DIN on both sides

Material: Equipotential socket: Brass nickel-plated, cable: copper
Scope of delivery: 1 cable with inclined socket on both sides



Equipotential cable

Models	Length	Item number
Equipotential cable	0,3 m	ZV.9941.999
Equipotential cable	0,5 m	ZV.9942.999
Equipotential cable	1,0 m	ZV.9943.999
Equipotential cable	1,5 m	ZV.9488.999
Equipotential cable	5,0 m	ZV.9944.999

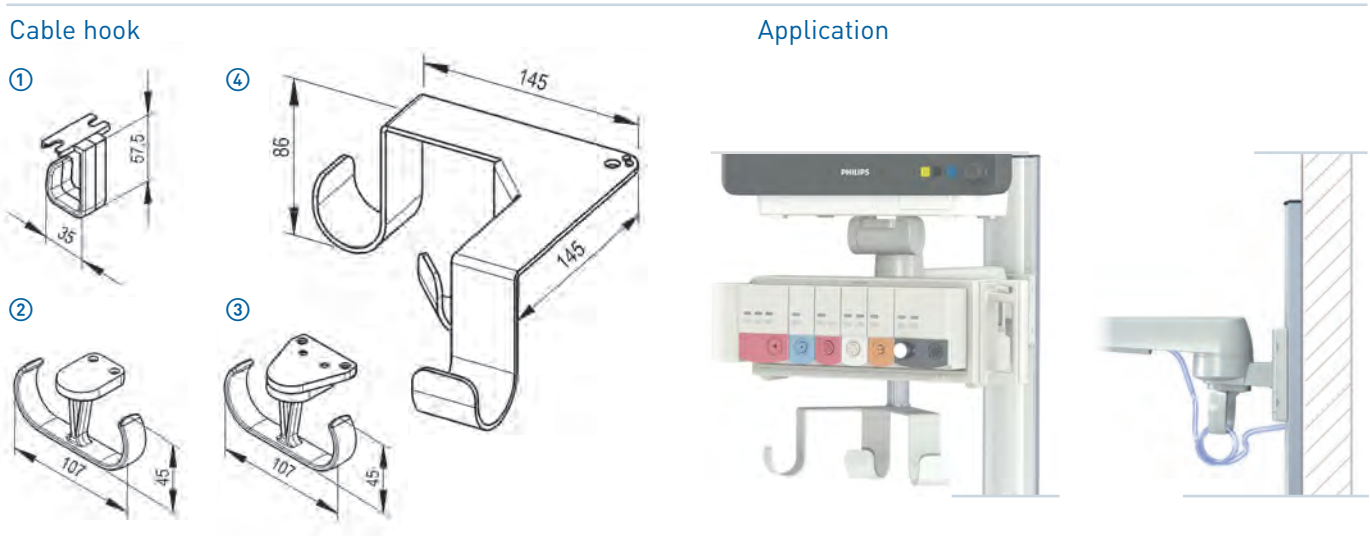
CABLE HOOK / PROTECTIVE COVER

Cable hook

Features cable hook:

- Cable hook for routing of different cables
- Cable hook can be installed afterwards

Material: ① ② ③ plastic ④ steel plate
 Finish: RAL 7035 light grey
 Scope of delivery: 1 cable hook including mounting hardware



Cable hook

Models	Item number
① Cable hook, single (monitor holder rigid)	TS.0197.991
② Cable hook, double (rm-port)	TH.2008.991
③ Cable hook, double (flexion-port)	HA.1105.991
④ Cable hook for post „Down-Post“	TS.0872.991

Protective cover with closure system for cable (flexion-port)

Features protective cover:

- It serves the protection and hygiene of the outgoing cables (cable volume: Ø 25 mm)
- A secure closure system allows quick cleaning or addition of the cables

Material: Quality PVC
 Dimensions: 2 meters for flexion-port with lengths 300 and 400 mm
 3 meters für flexion-port with lengths 300 and 400 mm on pivot arm
 Scope of delivery: 1 protective cover with closure system



Protective cover

Models	Item number
Protective cover with cosure system for cable (2 m)	ZV.9557.999

CARRIER SYSTEMS

Carrier support system for Philips XDS

Features carrier support system:

- For accommodation of monitor holders for Philips XDS, monitors with VESA 75 / 100 adapter ($\pm 25^\circ$ pivoted and $\pm 15^\circ$ inclinable), as well as Philips MP2 / X2 monitors over an additional support arm
- A keyboard holder is available as optional feature
- The earthed socket strip enables to attach 3 devices

Material

- Aluminium / sheet steel / plastic

Load capacity:

- Monitor holder with VESA 75 / 100 adaptation universal: up to 14 kg / 30.8 lbs
- Computer holder (XDS): up to 5 kg / 11 lbs
- Monitor holder for MP2 / X2: up to 5 kg / 11 lbs
- Power pack holder MP2 / X2: up to 5 kg / 11 lbs

Finish:

- RAL 7035 light grey powder-coated

Scope of delivery:

- 1 Wall Channel 40 U (1280 mm) with cable ducts and strain reliefs
- 1 monitor holder, universal, with VESA 75 / 100 adapter
- 1 computer holder (XDS)
- 1 earthed socket strip, 3-way, with switch
- 1 support arm with holder for Philips MP2 / X2 monitor
- Mounting hardware

Supplied:

- pre-assembled



modul-port
System components

Carrier support system

Item number

Carrier support system for Philips XDS

TS.9046.991

CARRIER SYSTEMS

Carrier system with mechanical height adjustment

Features carrier support system:

- It provides an ergonomically correct operational position at all times with mechanical height adjustment
- Height adjustment is operated in an adjustment range of 300 mm or 500 mm
- The fold-up keyboard and screen can be moved as a unit and can be fixed in place with a clamp lever mounted as an attachment
- The monitor holder is $\pm 25^\circ$ pivoted and $\pm 15^\circ$ tiltable

Material:

- Aluminium / sheet steel / plastic

Load capacity:

- Monitor holder with VESA 75 / 100 universal: up to 14 kg / 30.8 lbs
- Computer holder: up to 5 kg / 11 lbs
- Keyboard holder: up to 5 kg / 11 lbs (distributed load)

Finish:

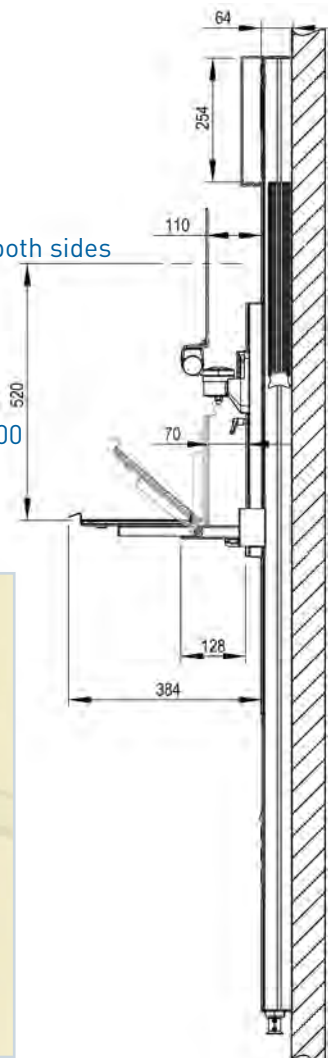
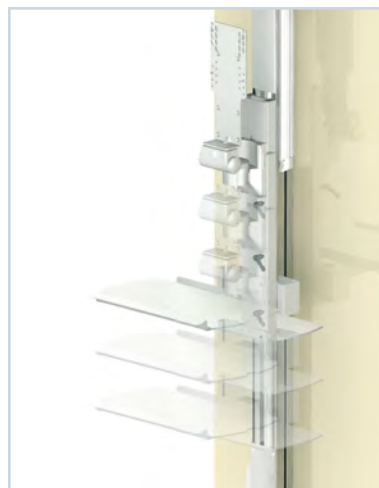
- RAL 7035 light grey powder-coated
- Wall Channel: anodized

Scope of delivery:

- 1 iTD Wall Channel 60 U (1920 mm) with cable ducts on both sides
- 1 mechanical height adjustment
- 1 computer holder
- 1 keyboard holder, fold-away, with pull-out mousepad
- 1 mouse holder
- 1 rotatable and tiltable monitor bracket with VESA 75 / 100
- 1 EURO socket strip, 3-way, with switch
- Mounting hardware

Supplied:

- pre-assembled



Carrier systems

Models	Load capacity (height adjustment)	Item number
Carrier system with mechanical height adjustment (300 mm lift)	8-16 kg / 17.6-35.2 lbs	TS.9041.991
Carrier system with mechanical height adjustment (500 mm lift)	8-16 kg / 17.6-35.2 lbs	TS.9050.991

CARRIER SYSTEMS

Carrier system with electrical height adjustment

Features carrier support system:

- It provides an ergonomically correct operational position with electrical height adjustment all the time
- The fold-up keyboard and screen can be moved as a unit
- Height adjustment (adjustment range: 300 mm) is operated using a remote control which is attached to the keyboard holder (with pull-out mousepad and mouse garage) to save space
- The monitor holder is $\pm 25^\circ$ pivoted and $\pm 15^\circ$ tiltable

Material:

- Aluminium / sheet steel / plastic

Load capacity:

- Monitor holder with VESA 75 / 100 universal: up to 14 kg / 30.8 lbs
- Computer holder: up to 5 kg / 11 lbs
- Keyboard holder: up to 5 kg / 11 lbs (distributed load)

Finish:

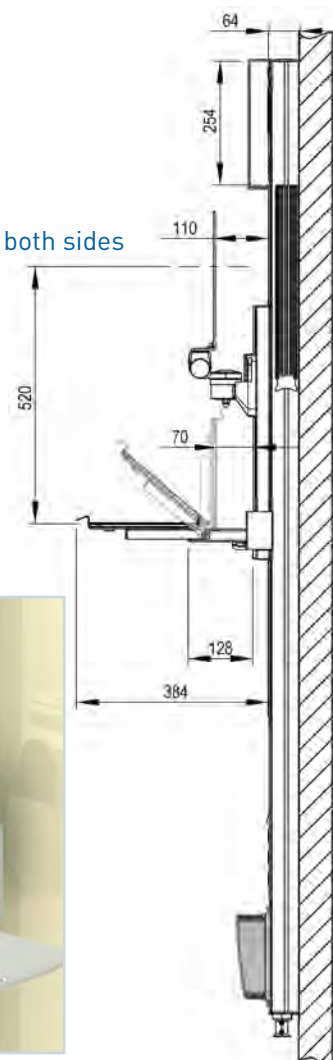
- RAL 7035 light grey powder-coated
- Wall Channel: anodized

Scope of delivery:

- 1 iTD Wall Channel 60 U (1920 mm) with cable ducts on both sides
- 1 electrical height adjustment
- 1 computer holder: up to 5 kg / 11 lbs
- 1 keyboard holder, fold-away, with pull-out mousepad (left / right)
- 1 mouse holder
- 1 monitor holder with tilt and swivel unit and VESA 75 / 100 adapter
- 1 EURO socket strip, 3-way, with switch
- Mounting hardware

Supplied:

- pre-assembled



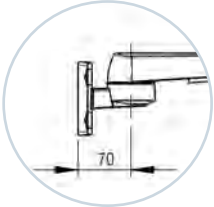
Carrier systems

	Load capacity (height adjustment)	Item number
Carrier system with mechanical height adjustment	20 kg / 44 lbs	TS.9028.991

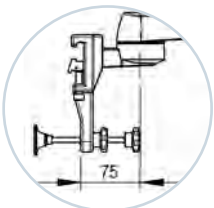
TECHNICAL DATA rm-port

Length specifications and dimensions rm-port

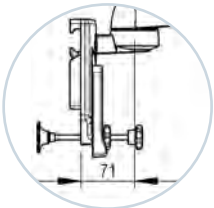
Infrastructure



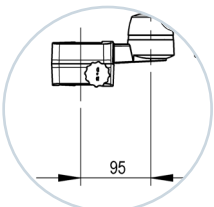
iTD Wall Channel



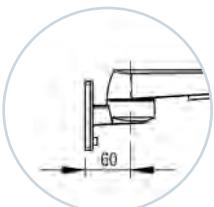
Standard runner
Regular mounting



Standard runner
Regular mounting

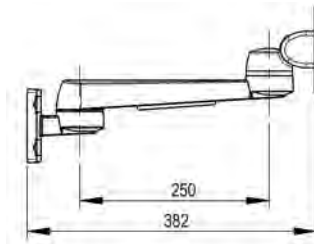


Pole \varnothing 35-38 mm

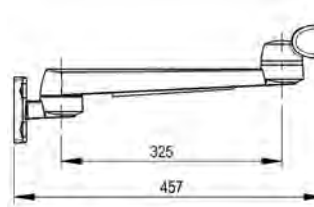


Wall Channel GCX

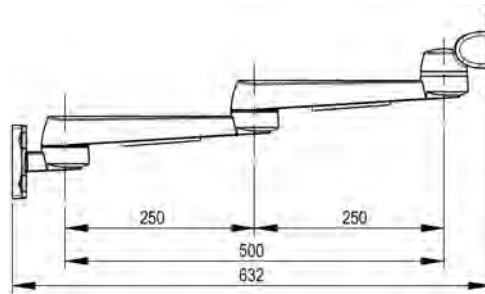
Pivot arm rm-port, single, L = 250 mm



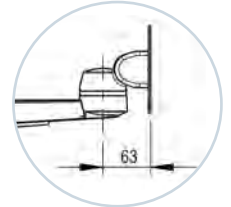
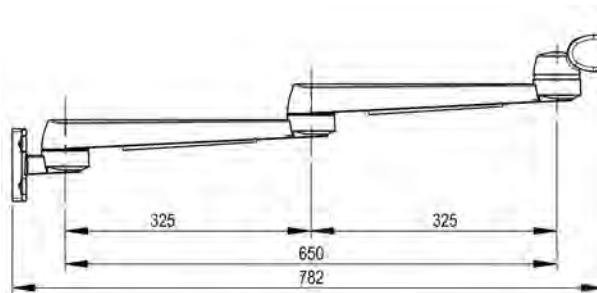
Pivot arm rm-port, single, L = 325 mm



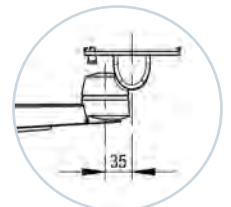
Pivot arm rm-port, single, L = 250 mm + 250 mm



Pivot arm rm-port, single, L = 325 mm + 325 mm



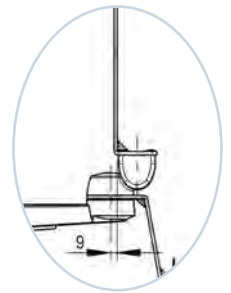
VESA 75 / 100 –
up to 18 kg / 39.6 lbs



universal adapter –
up to 14 kg / 30.8 lbs



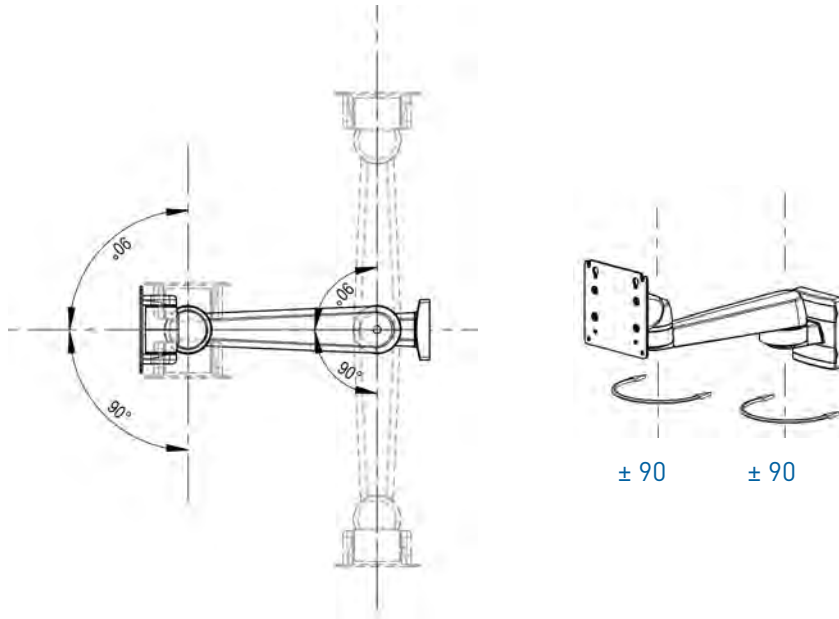
Table Top Mount-Adapter –
up to 14 kg / 30.8 lbs
for Philips monitors



VESA 75 / 100, universal –
up to 14 kg / 30.8 lbs

TECHNICAL DATA rm-port

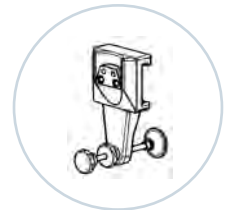
Adjustment range - Pivot arm rm-port, single



Infrastructure

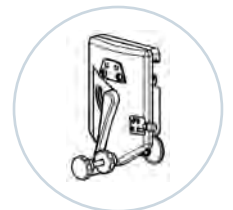
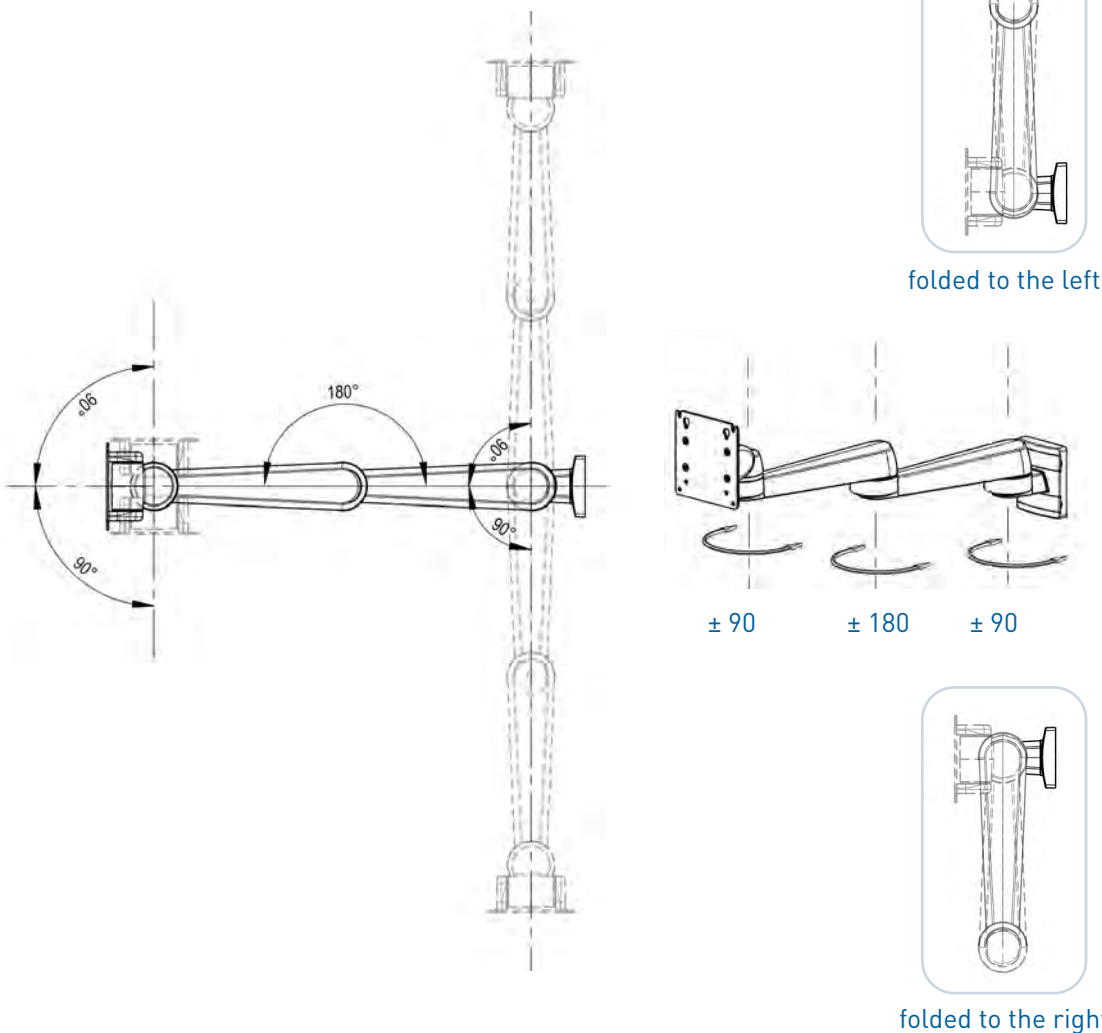


iTD Wall Channel



Standard runner
Regular mounting

Adjustment range - Pivot arm rm-port, double



Standard runner
Regular mounting



Pole Ø 35-38 mm

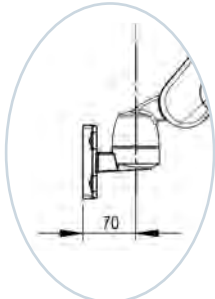


Wall Channel GCX

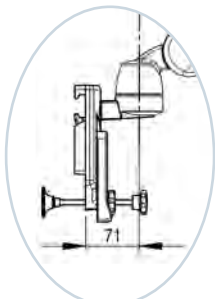
TECHNICAL DATA lf-port

Length specifications and dimensions – lf-port

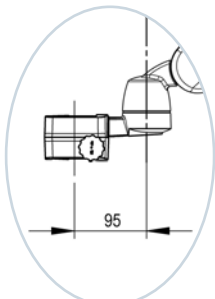
Infrastructure



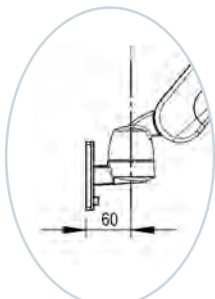
iTD Wall Channel



Standard runner

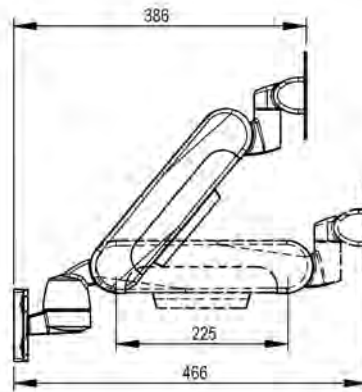


Pole Ø 25-42 mm



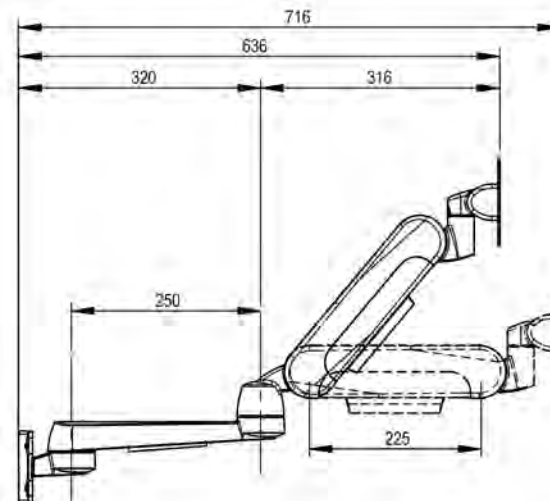
Wall Channel GCX

L 225 mm

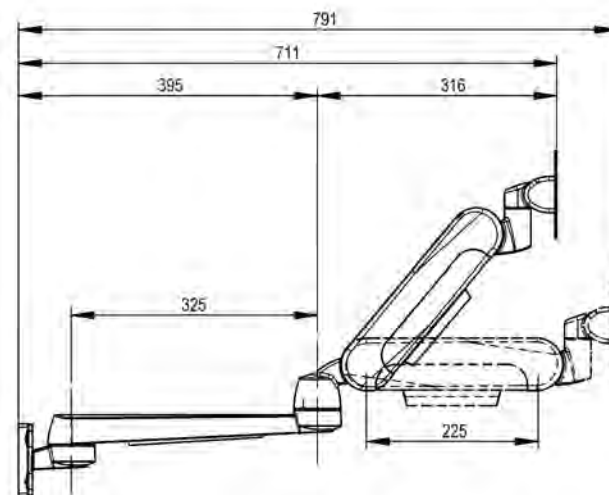


Length specifications and dimensions– lf-port on pivot arm

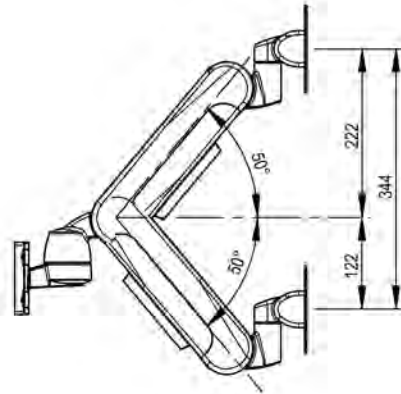
L 225 mm + 250 mm



L 225 mm + 325 mm

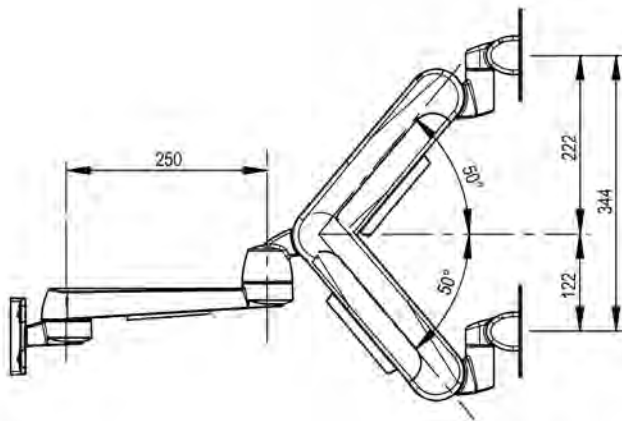


L 225 mm

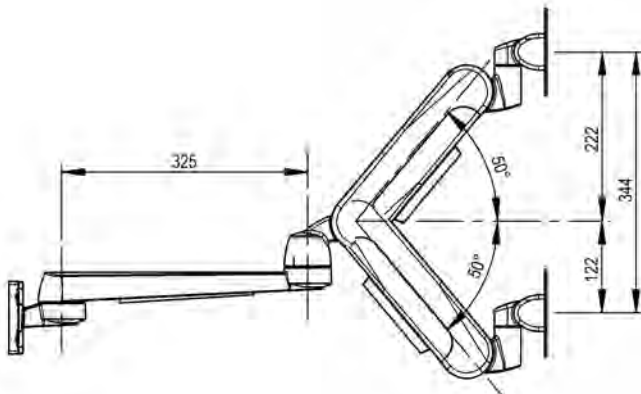


Adjustment range – lf-port on pivot arm

L 225 mm + 250 mm



L 225 mm + 325 mm

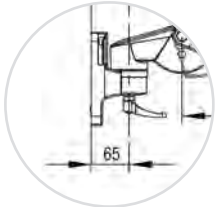


TECHNICAL DATA flexion-port

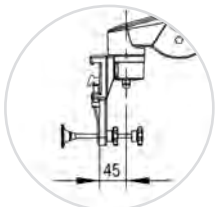
Length specifications and dimensions – flexion-port

Infrastructure

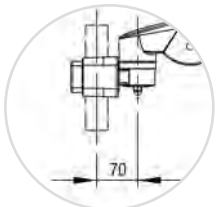
L 300 mm



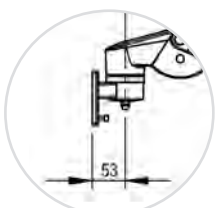
iTD wall channel



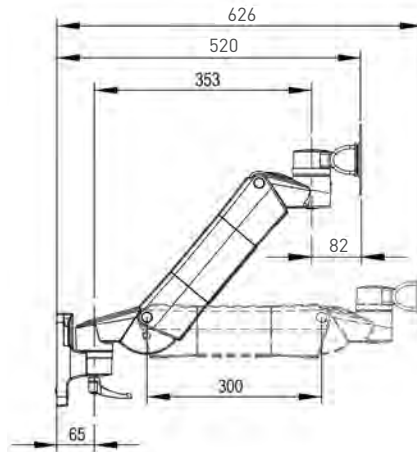
Standard runner



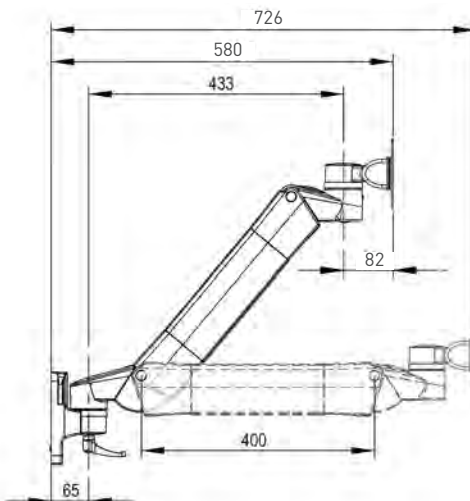
Pole Ø 25-42 mm



Wall channel GCX



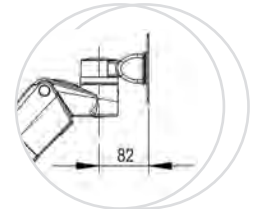
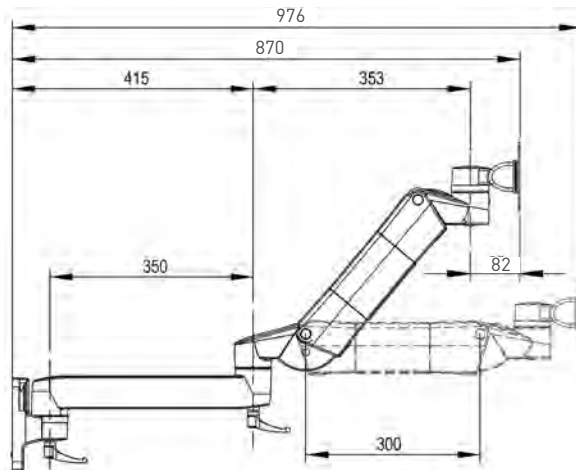
L 400 mm



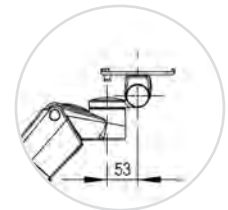
TECHNICAL DATA flexion-port

Length specifications and dimensions – flexion-port on pivot arm

L 300 mm + 350 mm



VESA 75 / 100
– up to 14 kg / 30.6 lbs



Universal adapter
– up to 14 kg / 30.6 lbs

L 400 mm + 350 mm

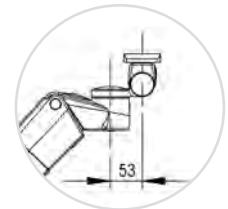
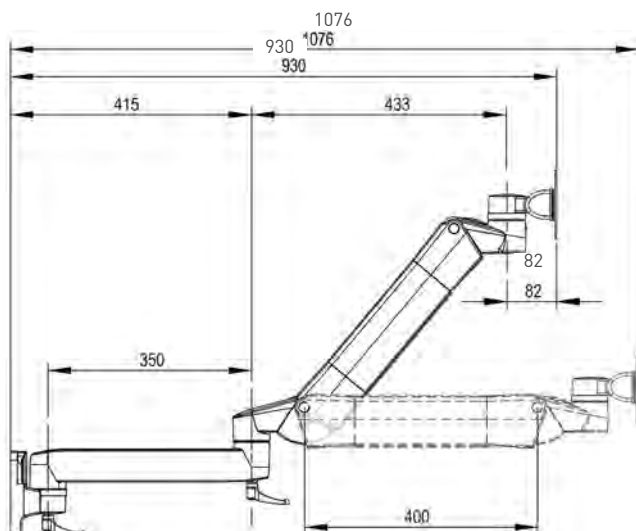


Table Top Mount
AD75/85 / MX600-850

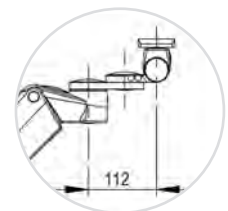
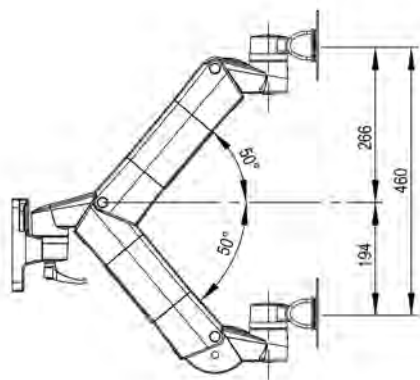


Table Top Mount
MX400-550

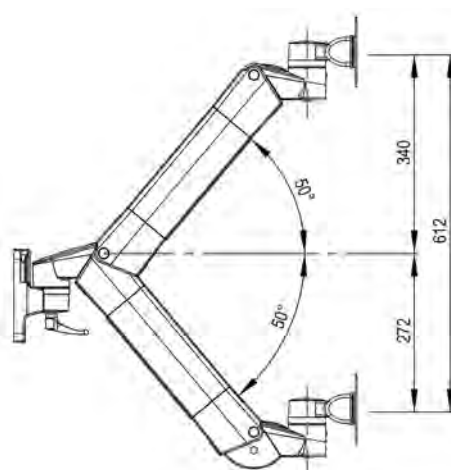
TECHNICAL DATA flexion-port

Adjustment range – flexion-port

L 300 mm



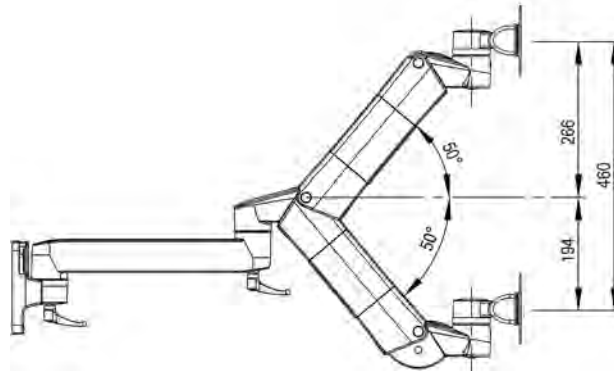
L 400 mm



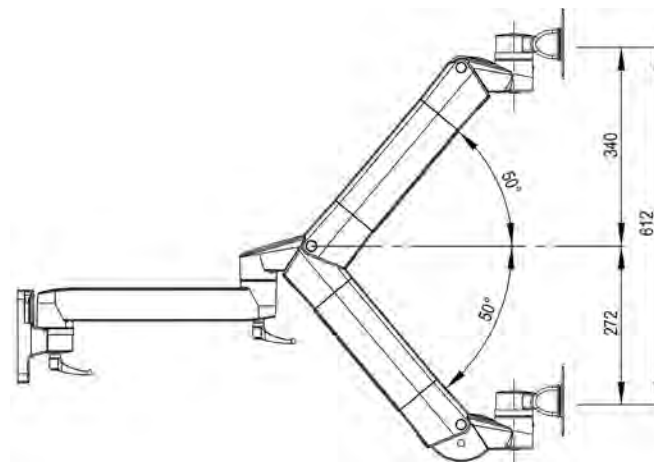
TECHNICAL DATA flexion-port

Adjustment range – flexion-port on pivot arm

L 300 mm + 350 mm



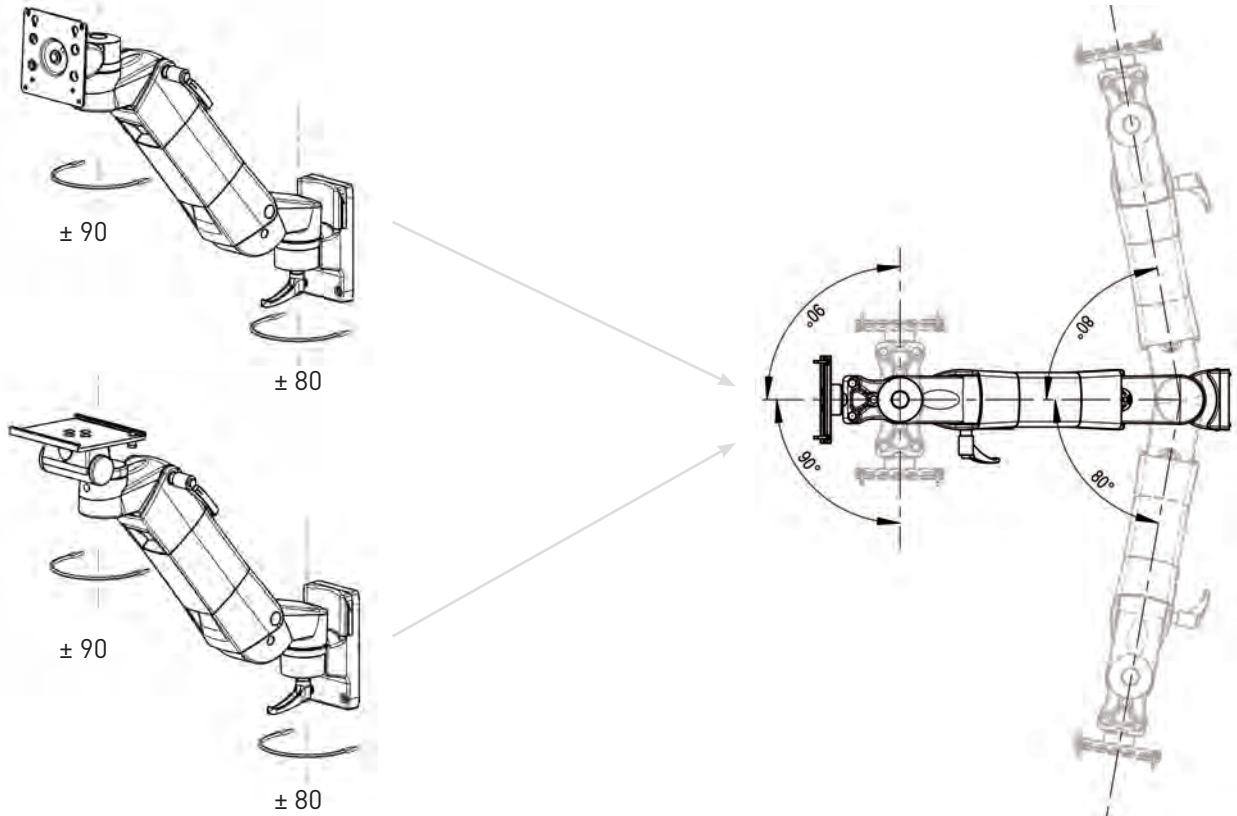
L 400 mm + 350 mm



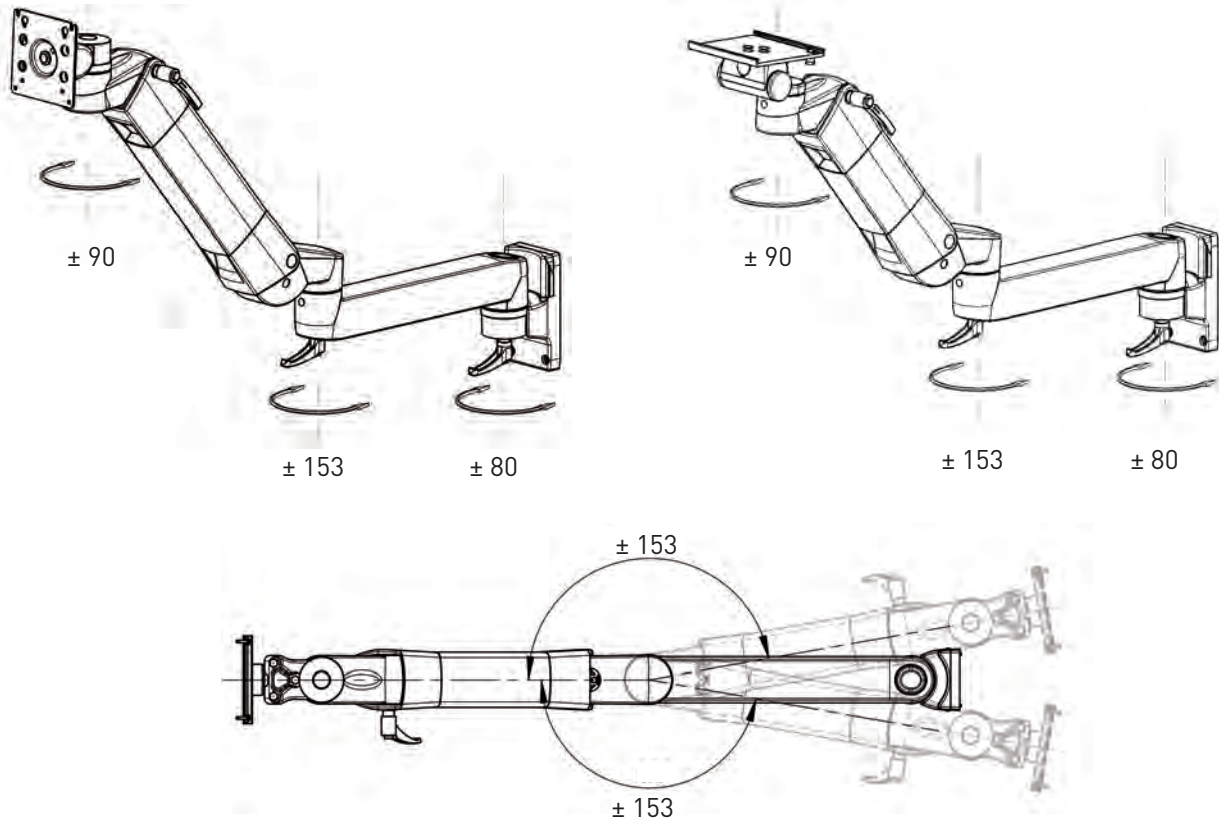
TECHNICAL DATA flexion-port

Adjustment range – flexion-port with VESA adaption or universal adapter

flexion-port with VESA adaption or universal adapter



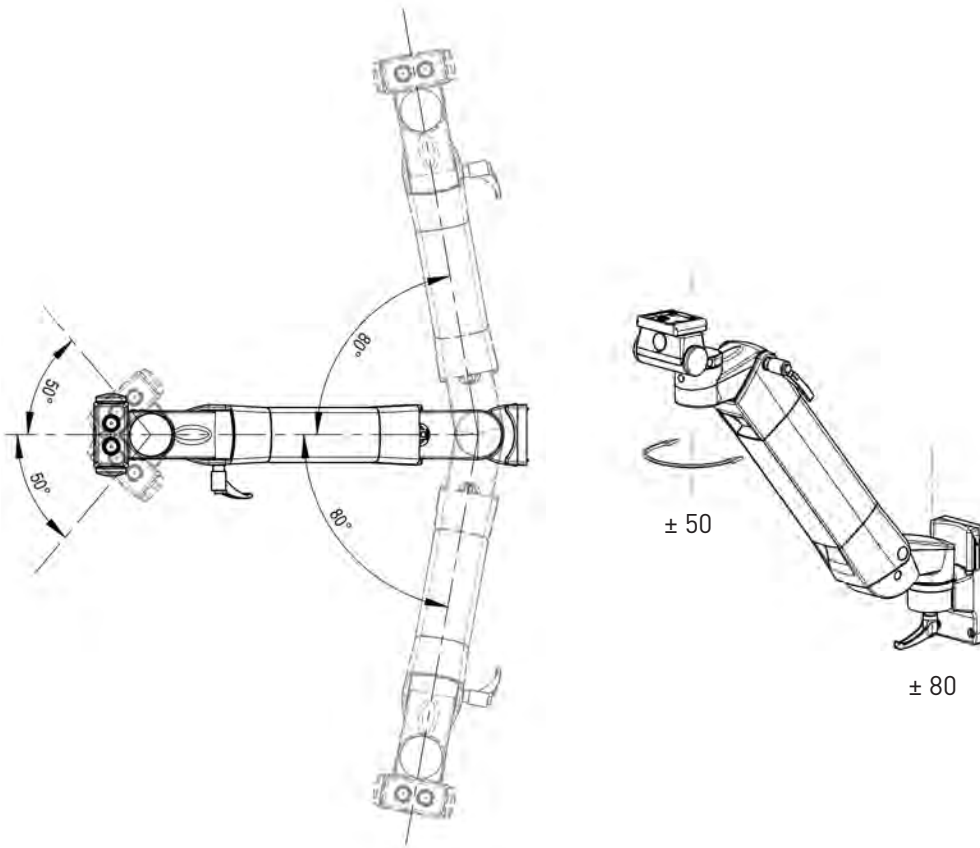
Adjustment range – flexion-port on pivot arm with VESA Adaption or universal adapter



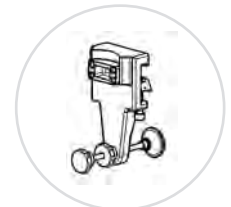
TECHNICAL DATA flexion-port

Adjustment range – flexion-port with Table Top Mount adapter (for Philips)

Adjustment range - flexion-port with Table Top Mount adapter (for Philips)

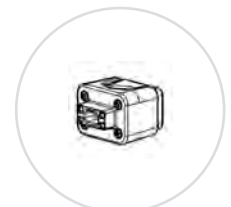
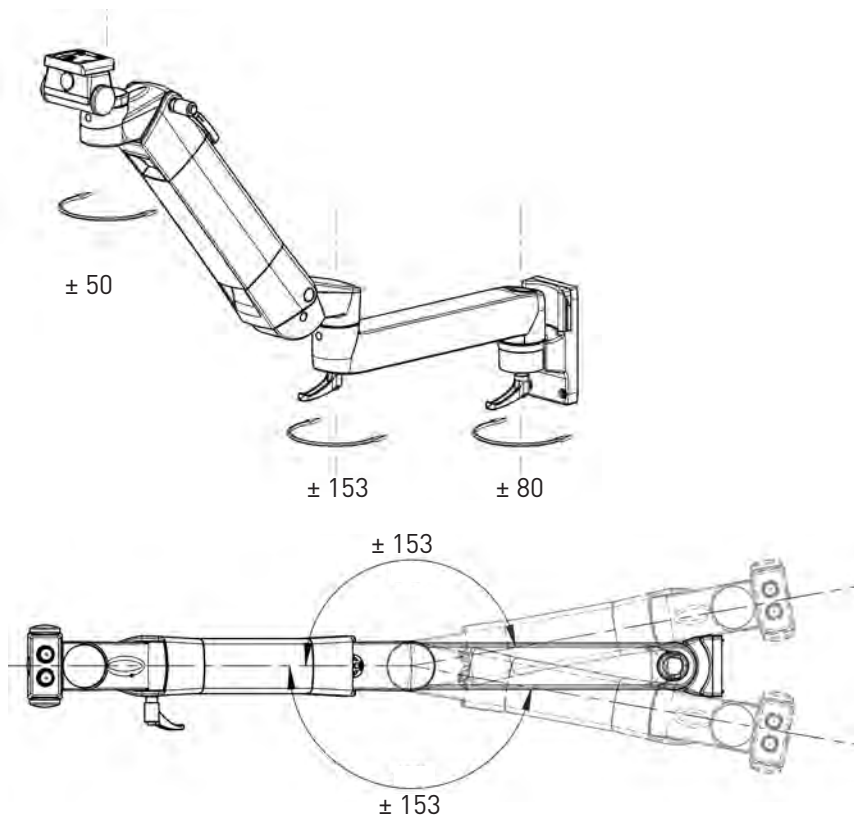


iTD Wall Channel



Standard runner

Adjustment range – flexion-port on pivot arm with Table Top Mount adapter (for Philips)



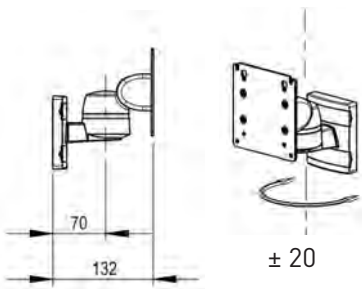
Pole Ø 25-42 mm



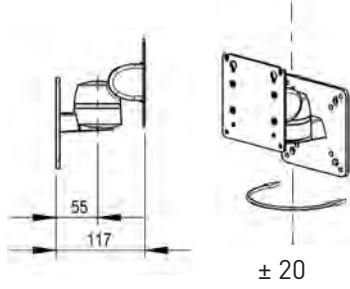
Wall channel GCX

TECHNICAL DATA modul-port

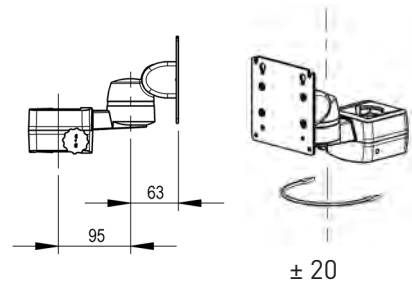
Monitorholder with VESA 75 / 100



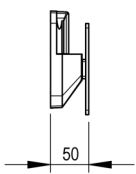
iTD Wall Channel



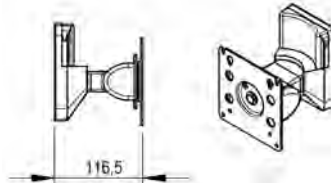
wall



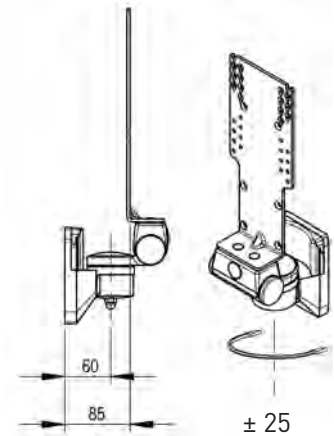
Pole Ø 35-38 mm



iTD Wall Channel, rigid

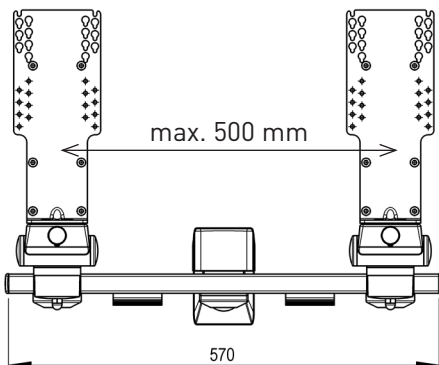
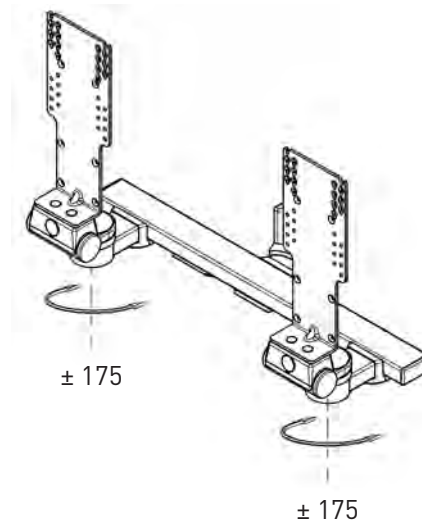
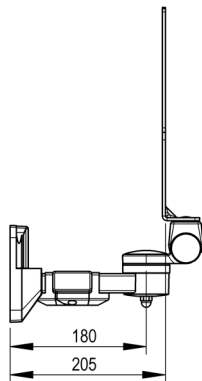


iTD Wall Channel, rigid, tilt



iTD Wall Channel, swivel, tilt

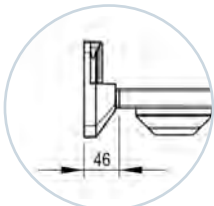
Double monitor holder with VESA 75 / 100



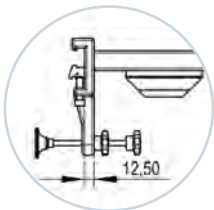
TECHNICAL DATA modul-port

Length specifications and dimensions monitor holders rigid

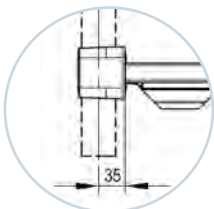
Infrastructure



iTD Wall Channel

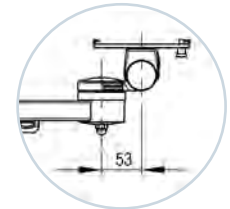
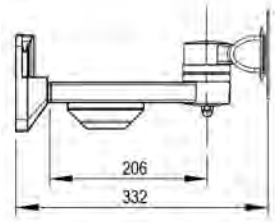


Standard runner

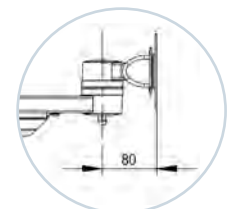


Pole Ø 25-42 mm

Monitor holder rigid

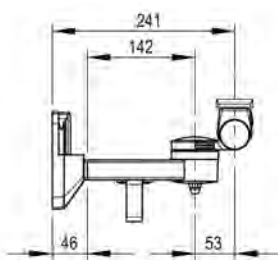


universal adapter

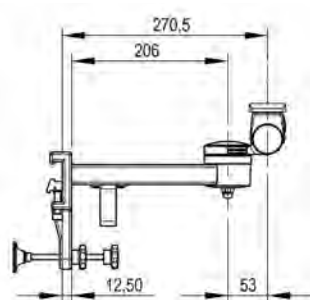


VESA 75 / 100

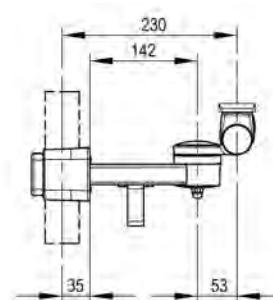
Monitor holder rigid – for Philips-monitors



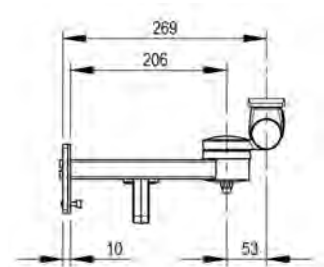
iTD Wall Channel



Standard runner



Pole Ø 25-42 mm



Wall Channel GCX

General safety instructions

- Please read carefully through the operating instructions as well as the installation instructions prior to the installation and commissioning
- For the fixing to the wall, use the fixing material that is suitable and approved for the relevant type of wall construction
- Ensure that there are no live cables or water pipes present in the wall at the drilling site
- In the event of the attachment to an equipment cart, the stability pursuant to DIN EN 60601-1 (3rd Edition) has to be ensured
- In principle you should pay attention to the stability of the relevant load bearing pole, in the case of the deployment of the pole adapter

KEYWORD INDEX

HA.1005.991.....	82	HA.2215.903.....	38	HA.3009.991.....	30
HA.1024.991.....	50	HA.2216.903.....	38	HA.3012.991.....	30
HA.1034.991.....	82	HA.2218.903.....	38	HA.3013.991.....	30
HA.1035.999.....	85	HA.2219.903.....	38	HA.3014.991.....	30
HA.1105.991.....	88	HA.2224.903.....	38	HA.3015.991.....	30
HA.2032.903.....	40	HA.2225.903.....	38	HA.3016.991.....	30
HA.2033.903.....	40	HA.2242.903.....	46	MZ.0004.XXX.....	76
HA.2034.903.....	40	HA.2243.903.....	46	MZ.6001.XXX.....	77
HA.2035.903.....	40	HA.2244.903.....	46	RS.0076.991.....	84
HA.2036.903.....	44	HA.2245.903.....	46	RS.0125.991.....	87
HA.2037.903.....	44	HA.2246.903.....	46	RS.4360.XXX.....	76
HA.2038.903.....	44	HA.2247.903.....	46	RS.4363.XXX.....	77
HA.2039.903.....	44	HA.2248.903.....	46	RS.4385.991.....	74
HA.2040.903.....	44	HA.2249.903.....	46	RS.4389.XXX.....	77
HA.2041.903.....	44	HA.2250.903.....	48	TH.1052.991.....	22
HA.2042.903.....	44	HA.2251.903.....	48	TH.2000.991.....	62
HA.2043.903.....	44	HA.2252.903.....	48	TH.2001.991.....	62
HA.2044.903.....	44	HA.2253.903.....	48	TH.2002.991.....	62
HA.2045.903.....	44	HA.2254.903.....	48	TH.2003.991.....	62
HA.2046.903.....	44	HA.2255.903.....	48	TH.2004.991.....	62
HA.2047.903.....	44	HA.2256.903.....	48	TH.2005.991.....	62
HA.2048.903.....	44	HA.2257.903.....	48	TH.2006.991.....	82
HA.2049.903.....	44	HA.2258.903.....	46	TH.2007.991.....	82
HA.2083.903.....	44	HA.2259.903.....	46	TH.2008.991.....	88
HA.2088.903.....	44	HA.2266.903.....	48	TH.2010.999.....	85
HA.2096.903.....	50	HA.2267.903.....	48	TH.2029.991.....	62
HA.2102.903.....	44	HA.2274.903.....	38	TH.2030.991.....	62
HA.2152.903.....	44	HA.2275.903.....	38	TH.2100.991.....	17
HA.2153.903.....	44	HA.2277.903.....	38	TH.2101.991.....	17
HA.2154.903.....	44	HA.2278.903.....	38	TH.2102.991.....	17
HA.2168.903.....	40	HA.2302.903.....	42	TH.2103.991.....	17
HA.2169.903.....	40	HA.2303.903.....	42	TH.2104.991.....	17
HA.2171.903.....	50	HA.2304.903.....	42	TH.2105.991.....	17
HA.2172.903.....	50	HA.2305.903.....	42	TH.2106.991.....	17
HA.2173.903.....	50	HA.2315.903.....	42	TH.2107.991.....	17
HA.2174.903.....	40	HA.2316.903.....	42	TH.2108.991.....	17
HA.2175.903.....	40	HA.2317.903.....	42	TH.2109.991.....	17
HA.2176.903.....	40	HA.2318.903.....	42	TH.2110.991.....	17
HA.2177.903.....	40	HA.2319.903.....	42	TH.2111.991.....	17
HA.2182.903.....	40	HA.2320.903.....	42	TH.2112.991.....	17
HA.2183.903.....	40	HA.2321.903.....	42	TH.2113.991.....	17
HA.2184.903.....	40	HA.2322.903.....	42	TH.2114.991.....	17
HA.2185.903.....	40	HA.2323.903.....	42	TH.2115.991.....	17
HA.2186.903.....	40	HA.2324.903.....	42	TH.2116.991.....	22
HA.2187.903.....	40	HA.2325.903.....	42	TH.2117.991.....	22
HA.2188.903.....	40	HA.2326.903.....	42	TH.2118.991.....	22
HA.2189.903.....	40	HA.2327.903.....	42	TH.2119.991.....	22
HA.2190.903.....	40	HA.2328.903.....	42	TH.2120.991.....	22
HA.2191.903.....	40	HA.2329.903.....	42	TH.2121.991.....	22
HA.2200.903.....	38	HA.2330.903.....	42	TH.2122.991.....	22
HA.2201.903.....	38	HA.3000.991.....	30	TH.2123.991.....	22
HA.2203.903.....	38	HA.3001.991.....	30	TH.2132.991.....	18
HA.2204.903.....	38	HA.3002.991.....	30	TH.2133.991.....	18
HA.2206.903.....	38	HA.3003.991.....	30	TH.2136.991.....	18
HA.2207.903.....	38	HA.3004.991.....	30	TH.2137.991.....	18
HA.2208.903.....	38	HA.3005.991.....	30	TH.2140.991.....	18
HA.2210.903.....	38	HA.3006.991.....	30		
HA.2211.903.....	38	HA.3007.991.....	30		
HA.2213.903.....	38	HA.3008.991.....	30		

KEYWORD INDEX

TH.2141.991.....	18	TH.2299.991.....	20	TS.6282.991.....	70
TH.2144.991.....	18	TH.2300.991.....	20	TS.6283.991.....	67
TH.2145.991.....	18	TH.2502.991.....	20	TS.6284.991.....	67
TH.2156.991.....	17	TH.2503.991.....	20	TS.6285.991.....	67
TH.2157.991.....	17	TH.2506.991.....	20	TS.6293.991.....	69
TH.2158.991.....	17	TH.2507.991.....	20	TS.6294.991.....	69
TH.2159.991.....	17	TH.2508.991.....	20	TS.6325.991.....	68
TH.2160.991.....	22	TH.2509.991.....	20	TS.6337.991.....	60
TH.2161.991.....	22	TH.2510.991.....	20	TS.6342.991.....	74
TH.2164.991.....	18	TH.2511.991.....	20	TS.6359.991.....	63
TH.2165.991.....	18	TH.2512.991.....	20	TS.6369.991.....	64
TH.2200.991.....	17	TH.2513.991.....	20	TS.6370.991.....	64
TH.2201.991.....	17	TS.0197.991.....	88	TS.6371.991.....	64
TH.2202.991.....	17	TS.0213.999.....	85	TS.6372.991.....	64
TH.2203.991.....	17	TS.0469.999.....	71	TS.6373.991.....	64
TH.2204.991.....	17	TS.0524.991.....	79	TS.6374.991.....	64
TH.2205.991.....	17	TS.0574.991.....	79	TS.6384.991.....	72
TH.2206.991.....	17	TS.0576.999.....	71	TS.6386.991.....	72
TH.2207.991.....	17	TS.0657.999.....	71	TS.6391.991.....	63
TH.2208.991.....	17	TS.0659.991.....	73	TS.6392.991.....	63
TH.2209.991.....	17	TS.0670.999.....	71	TS.6395.991.....	69
TH.2210.991.....	17	TS.0808.991.....	83	TS.6396.991.....	69
TH.2211.991.....	17	TS.0822.999.....	71	TS.6398.991.....	65
TH.2212.991.....	17	TS.0824.999.....	71	TS.6399.991.....	65
TH.2213.991.....	17	TS.0872.991.....	88	TS.6400.991.....	65
TH.2214.991.....	17	TS.0892.999.....	71	TS.6407.991.....	60
TH.2215.991.....	17	TS.0904.999.....	71	TS.6428.991.....	63
TH.2216.991.....	22	TS.0910.799.....	70	TS.6440.991.....	57
TH.2217.991.....	22	TS.6001.991.....	56	TS.6441.991.....	57
TH.2218.991.....	22	TS.6002.991.....	56	TS.6442.991.....	57
TH.2219.991.....	22	TS.6003.991.....	56	TS.6443.991.....	57
TH.2220.991.....	22	TS.6004.991.....	56	TS.6444.991.....	57
TH.2221.991.....	22	TS.6005.991.....	56	TS.6445.991.....	57
TH.2222.991.....	22	TS.6006.991.....	56	TS.6446.991.....	57
TH.2223.991.....	22	TS.6008.991.....	56	TS.9028.991.....	91
TH.2232.991.....	18	TS.6011.991.....	58	TS.9041.991.....	90
TH.2233.991.....	18	TS.6012.991.....	58	TS.9046.991.....	89
TH.2234.991.....	18	TS.6013.991.....	58	TS.9050.991.....	90
TH.2235.991.....	18	TS.6020.991.....	59	ZV.9295.999.....	75
TH.2236.991.....	18	TS.6025.991.....	60	ZV.9488.999.....	87
TH.2237.991.....	18	TS.6040.991.....	56	ZV.9557.999.....	88
TH.2238.991.....	18	TS.6041.991.....	56	ZV.9599.800.....	81
TH.2239.991.....	18	TS.6042.991.....	56	ZV.9639.991.....	86
TH.2248.991.....	17	TS.6043.991.....	56	ZV.9640.991.....	86
TH.2249.991.....	17	TS.6044.991.....	56	ZV.9669.991.....	86
TH.2250.991.....	17	TS.6045.991.....	56	ZV.9731.999.....	84
TH.2251.991.....	17	TS.6046.991.....	56	ZV.9820.799.....	70
TH.2252.991.....	22	TS.6052.XXX.....	76	ZV.9941.999.....	87
TH.2253.991.....	22	TS.6099.991.....	75	ZV.9942.999.....	87
TH.2256.991.....	18	TS.6120.991.....	80	ZV.9943.999.....	87
TH.2257.991.....	18	TS.6128.991.....	80	ZV.9944.999.....	87
TH.2291.991.....	20	TS.6144.991.....	78	ZV.9967.800.....	81
TH.2292.991.....	20	TS.6146.991.....	78		
TH.2293.991.....	20	TS.6157.991.....	60		
TH.2294.991.....	20	TS.6247.991.....	75		
TH.2295.991.....	20	TS.6248.991.....	66		
TH.2296.991.....	20	TS.6250.991.....	66		
TH.2297.991.....	20	TS.6254.991.....	66		
TH.2298.991.....	20	TS.6281.991.....	73		

iTD IS COMMITTED TO YOU WORLDWIDE



Also in person...

You are cordially invited to experience our equipment carriers live in our show-rooms. Or, if you would prefer, we could come to your site. Our medical device consultants look forward to your appointment request.



Virtual and in person....

Visit our virtual booth, at www.itd-cart.com/webfair. Take a look and be surprised by the possibilities. You are also welcome to arrange a virtual tour with one of our customer service representatives.



National and international representatives...

Our recommended dealers and international representatives are available world-wide to provide you with advice and service. You will find the corresponding addresses on our website.



... or simply configure your individual equipment carrier yourself...

Our innovative product configurator offers you the opportunity to configure your stationary or mobile equipment carrier at www.itd-cart.com/product-configurator.

If you would like to find out more about iTD, its products and employees....

www.itd-cart.com, WE LOOK FORWARD TO YOUR VISIT!

WE ARE LOOKING FORWARD TO YOUR VISIT!



www.itd-cart.com

GET IN TOUCH »

→ iTD GmbH, Sportplatzstraße 3 • 84381 Johanniskirchen • Deutschland
→ Phone: +49 89 61 44 25-0 • Fax: +49 89 61 44 25-200
→ www.itd-cart.com • sales@itd-cart.com

